

Surface Raceway / Aluminum SWA3200-DIV

SnapWay™

Manufactured by MonoSystems, Inc.

DIVIDED ALUMINUM RACEWAY

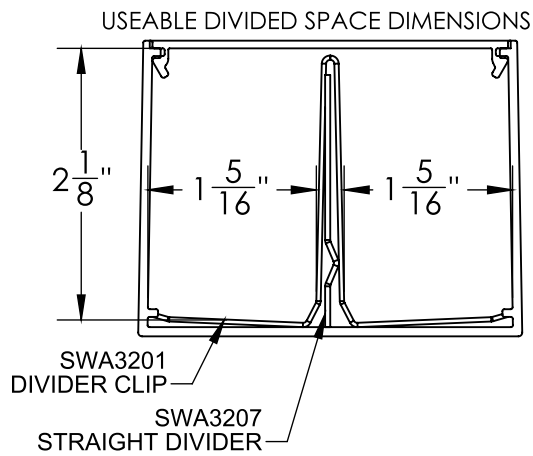
Notes

1.) Assembly instructions: Rigidly secure base section to structural building member or wall construction at 18" maximum mounting centers. Engineer to verify fasteners and mounting interval based on mounting surface construction (hardware by others).

2.) Views for reference - do not scale.

Material

#6063-T6 Extruded Aluminum, Satin Anodized Finish.

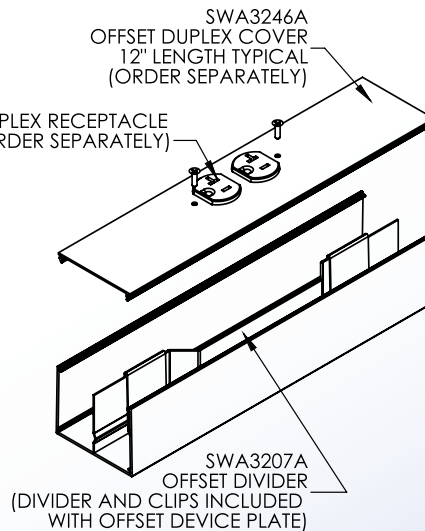
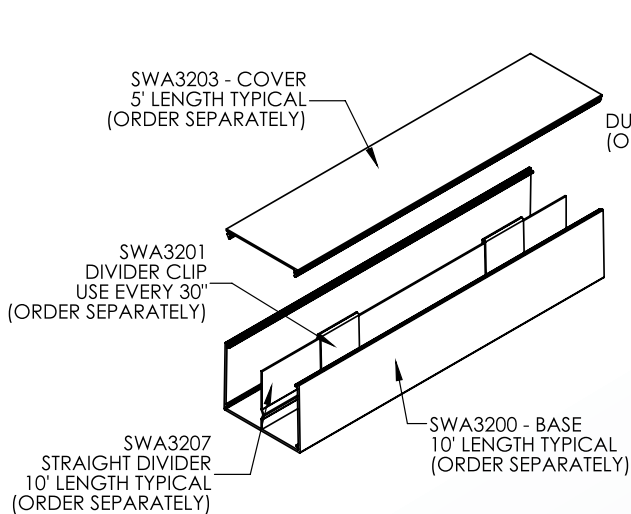
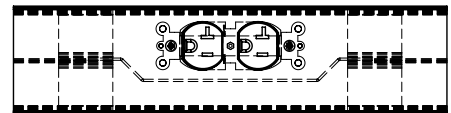


UL LISTED
FILE: E164140

VIEW WHERE A DEVICE IS NOT USED



VIEW WHERE A DEVICE IS USED



4 International Drive
Rye Brook, NY 10573
Toll Free: 1 888.764.7681
Phone: 914.934.2075
Fax: 914.934.2190
MonoSystems.com

