

Surface Raceway / Aluminum SWA2423

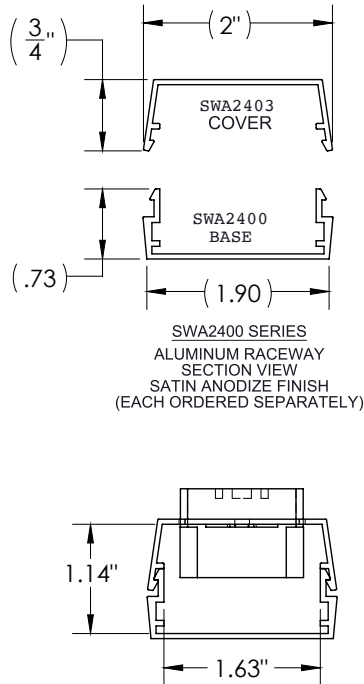
SnapWay™ Accessories

Manufactured by MonoSystems, Inc.

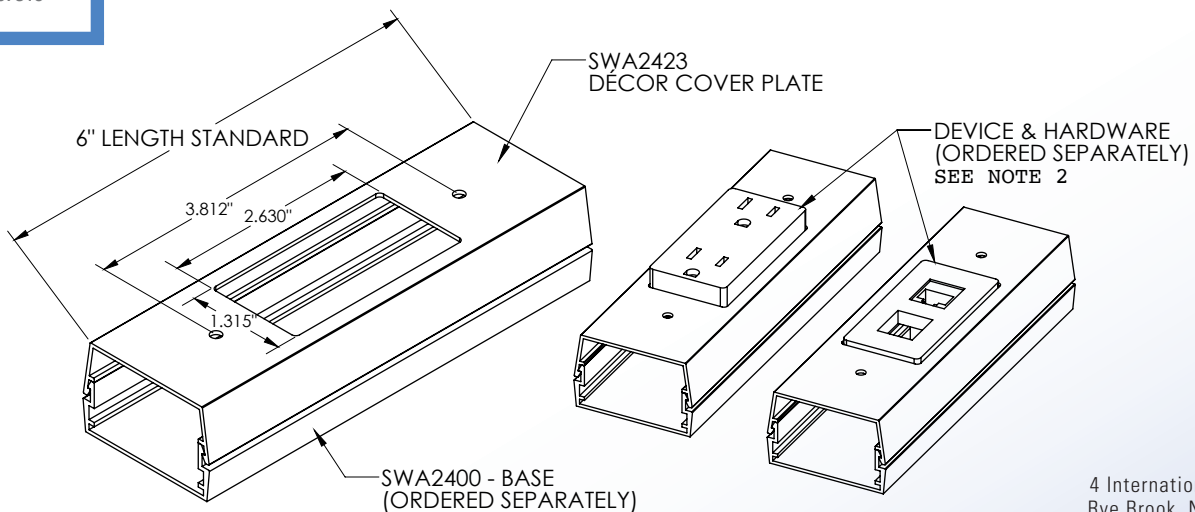
DÉCOR COVER PLATE

Notes

- 1.) Cover supplied as 6" standard length, for a different length add -XX to part number to specify. Example: SWA2423-12 = 12" long cover.
- 2.) For use with select décor duplex and data only, not for use with GFCI type devices. Reference clearance dimensions or consult factory for more information.
- 3.) Assembly instructions: firmly press cover into place ensuring that both sides are completely snapped into base section.
- 4.) To remove cover: gently pry upward on base and cover seam with a non-abrasive tool such as a plastic putty knife.
- 5.) Material: #6063-t6 extruded aluminum, satin anodized finish.
- 5.) Receptacle device (ordered separately) wire per nec and local codes.
- 7.) Views for reference - do not scale.



UL LISTED
FILE: E167318



4 International Drive
Rye Brook, NY 10573
Toll Free: 1 888.764.7681
Phone: 914.934.2075
Fax: 914.934.2190
MonoSystems.com

