

# Surface Raceway / Aluminum SWA2400

SnapWay™

Manufactured by MonoSystems, Inc.

## ALUMINUM RACEWAY FILLRATE

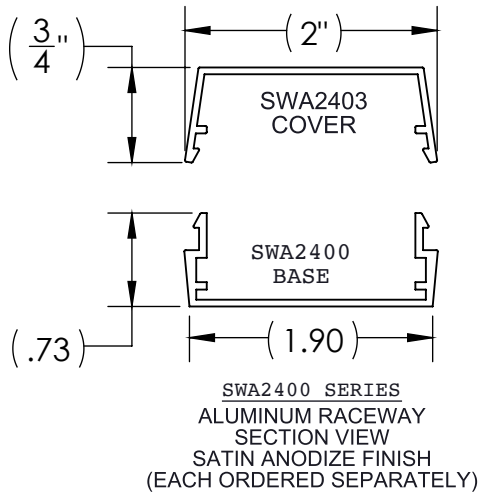
### Notes

1.) Assembly instructions: Rigidly secure base section to structural building member or wall construction at 18" maximum mounting centers. Engineer to verify fasteners and mounting interval based on mounting surface construction (hardware by others).

2.) Views for reference - do not scale.

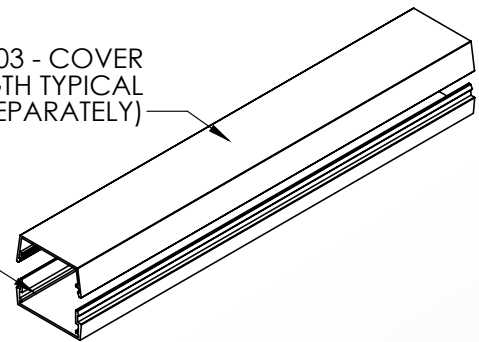
### Material

#6063-T6 Extruded Aluminum, Satin Anodized Finish.



SWA2403 - COVER  
5' LENGTH TYPICAL  
(ORDER SEPARATELY)

SWA2400 - BASE  
10' LENGTH TYPICAL  
(ORDER SEPARATELY)



SWA2400 SERIES ALUMINUM RACEWAY FILL CAPACITY FOR DATA/COMM.			
CABLE TYPE	CATEGORY/DESIGNATION	APPROX. O.D. Ø INCHES [mm]	40% FILL
UNSHIELDED TWISTED PAIR	4-PAIR, 24 AWG, CAT 3	0.190 [4.8]	23
	4-PAIR, 24 AWG, CAT 5e	0.210 [5.3]	19
	4-PAIR, 24 AWG, CAT 6	0.250 [6.3]	13
	4-PAIR, 24 AWG, CAT 6a	0.354 [9.0]	6
	25-PAIR, 24 AWG	0.410 [10.4]	5
COAXIAL CABLES	RG6/U0	.270 [6.9]	11
FIBER OPTIC	ZIPCORD	0.118 x 0.236 [3 x 6]	24
	ROUND 4-STRAND FIBER	0.187 [4.8]	24
	ROUND 6-STRAND FIBER	0.256 [6.5]	13

SWA2400 SERIES ALUMINUM RACEWAY FILL CAPACITY FOR POWER			
	WIRE SIZE THHN/THWN	APPROX. O.D. Ø INCHES [mm]	40% FILL
POWER WIRING WITHOUT DEVICES	6 AWG	0.254 [6.5]	13
	8 AWG	0.216 [5.5]	18
	10 AWG0	.164 [4.2]	37
	12 AWG0	.130 [3.3]	58
	14 AWG	0.111 [2.8]	78
POWER WIRING WITH DEVICES	6 AWG	0.254 [6.5]	3
	8 AWG	0.216 [5.5]	4
	10 AWG0	.164 [4.2]	8
	12 AWG0	.130 [3.3]	12
	14 AWG	0.111 [2.8]	16

4 International Drive  
Rye Brook, NY 10573  
Toll Free: 1 888.764.7681  
Phone: 914.934.2075  
Fax: 914.934.2190  
MonoSystems.com

