

# Surface Raceway / Aluminum SWA2234

## SnapWay™ Fittings

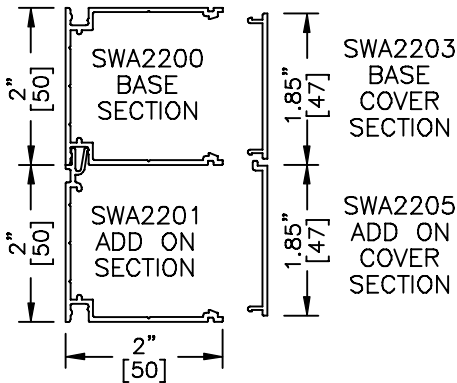
Manufactured by MonoSystems, Inc.

### "L" ADD-ON SECTION WALL BOX

#### Assembly Instructions

- 1.) Connect wall box body unit to SWA2201 "L" add-on sections using SWA2202 couplings. Secure with four 6-32 x 1/8" screws (2 places TYP).
- 2.) Secure conduit couplings (by others) through desired knock out.
- 3.) Terminate and enclose all wire per NEC and local codes.
- 4.) Snap SWA2234 wall box cover unit into SWA2234 body unit as shown ensuring the secure fit of each cover leg into each body unit interlock.

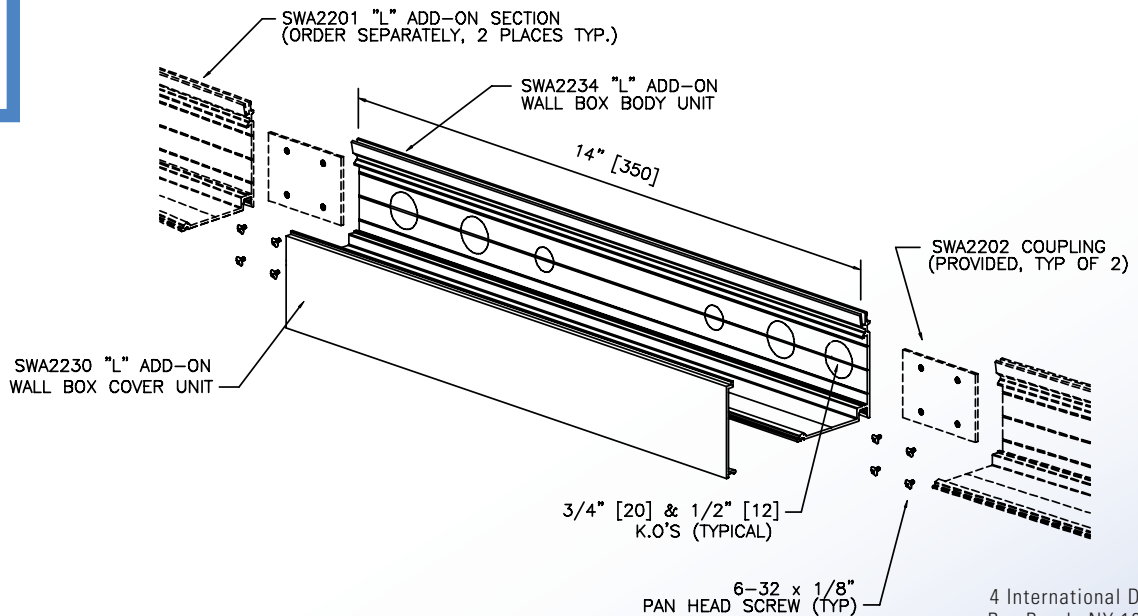
Scale: None



SWA2200 SERIES RACEWAY  
SECTION VIEW  
EACH ORDERED SEPARATELY  
MATL.: .06" [1.5] THICK #6063-T6 ALUM.  
SCALE: NONE



UL LISTED  
FILE: E167318



4 International Drive  
Rye Brook, NY 10573  
Toll Free: 1 888.764.7681  
Phone: 914.934.2075  
Fax: 914.934.2190  
MonoSystems.com

