

Surface Raceway / Aluminum SWA2230

SnapWay™ Fittings

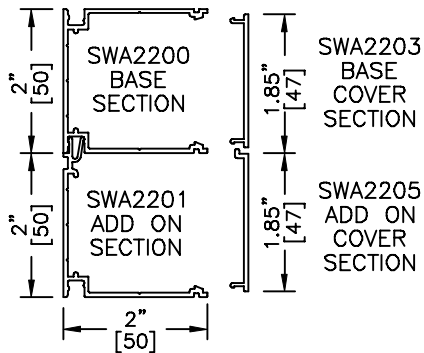
Manufactured by MonoSystems, Inc.

BASE WALL BOX

Assembly Instructions

- 1.) Connect wall box unit to SWA2201 "L" add-on sections using SWA2202 couplings. Secure with four 6-32 x 1/8" screws (4 places TYP).
- 2.) Secure conduit couplings (by others) through desired knock out.
- 3.) Terminate and enclose all wiring per NEC and local codes.
- 4.) Snap SWA2230 wall box cover unit into SWA2230 body unit as shown ensuring the secure fit of each cover leg into each body unit interlock.

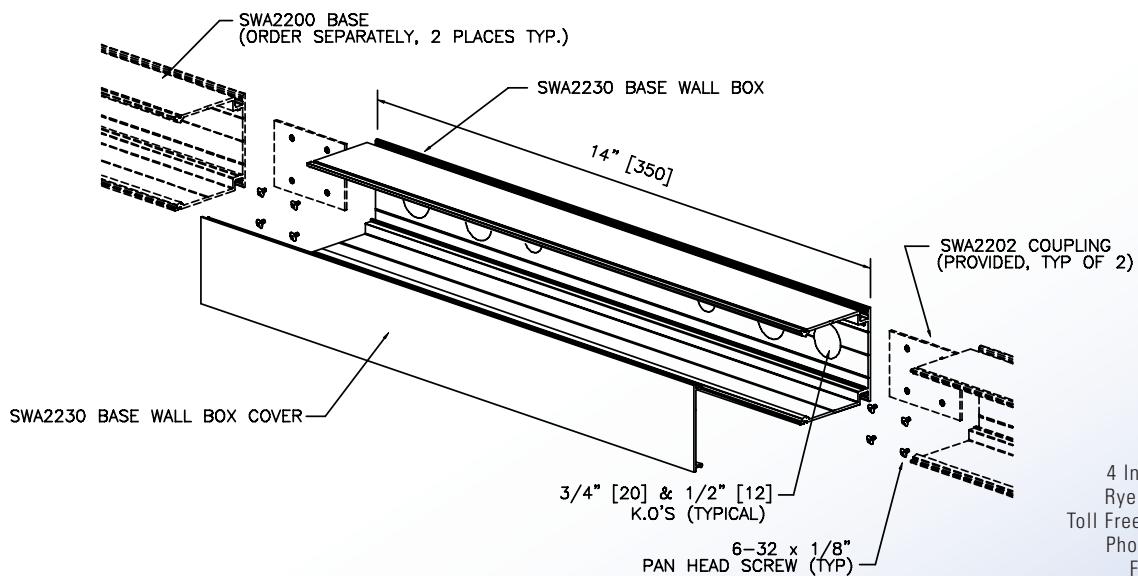
Scale: None



SWA2200 SERIES RACEWAY
SECTION VIEW
EACH ORDERED SEPARATELY
MATL.: .06" [1.5] THICK #6063-T6 ALUM.
SCALE: NONE



UL LISTED
FILE: E167318



4 International Drive
Rye Brook, NY 10573
Toll Free: 1 888.764.7681
Phone: 914.934.2075
Fax: 914.934.2190
MonoSystems.com

