

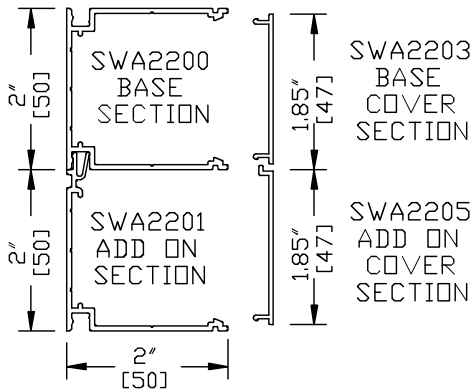
Surface Raceway / Aluminum SWA2222

SnapWay™ Accessories
Manufactured by MonoSystems, Inc.

DEVICE MOUNTING BRACKET

Notes

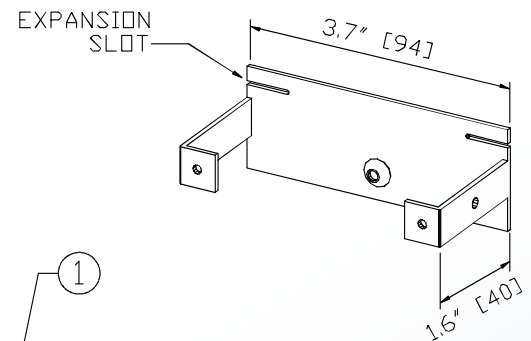
- 1.) Locate device bracket at desired location.
- 2.) Twist screwdriver blade in expansion slot to lock in place (two places).
- 3.) Secure in place using supplied 6-32 x 3/16" pan head metal screw.
- 4.) For use with installation of all devices throughout all SnapWay Raceway system applications.
- 5.) Must be ordered with each device cover except mouse hole grommet cover.
- 6.) Scale: None



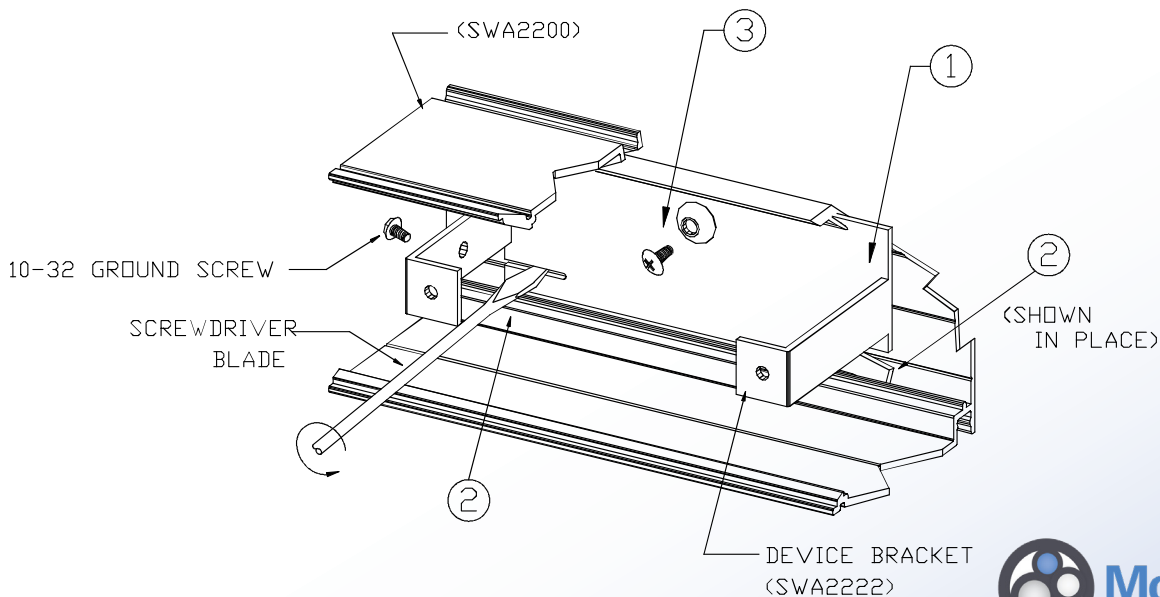
SWA2200 SERIES RACEWAY
SECTION VIEW
EACH ORDERED SEPARATELY
MATL.: .06" [1.5] THICK #6063-T6 ALUM.
SCALE: NONE



UL LISTED
FILE: E167318



BASE SECTION



4 International Drive
Rye Brook, NY 10573
Toll Free: 1 888.764.7681
Phone: 914.934.2075
Fax: 914.934.2190
MonoSystems.com

