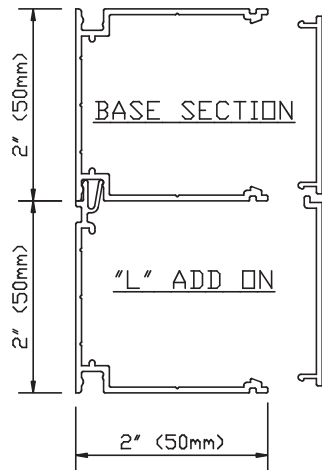


# Surface Raceway / Aluminum SWA2221

## SnapWay™ Accessories

Manufactured by MonoSystems, Inc.

### "L" SECTION MOUSE HOLE COVER



SWA2200 SERIES RACEWAY  
SECTION VIEW  
EACH ORDERED SEPARATELY

#### Notes

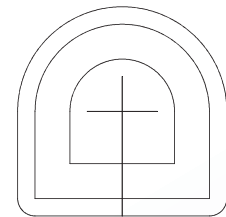
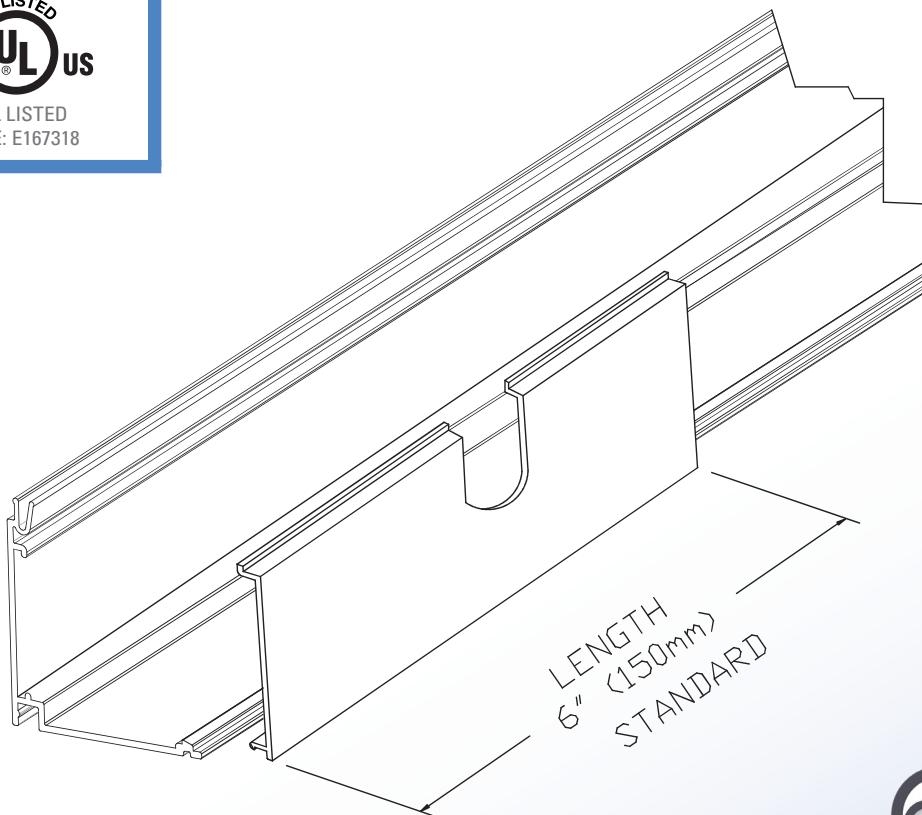
- 1.) Use for low voltage cable exit.
- 2.) Use provided grommet to protect cable.
- 3.) Cover to base assembly instructions: Insert one leg of cover into intralock tab of base section, firmly press cover so that other leg securely snaps into place.
- 4.) Receptacle to cover assembly instructions: Receptacle mounted to required SWA2222 device bracket (ordered separately) using (2) #6-32 pan head Phil. screws. Cover mounted to device using (1) #6-32 flat head Phil. Screw.
- 5.) View for reference - do not scale.

#### Material

0.060" Thick, Satin Anodized 6063-T3 Aluminum.



UL LISTED  
FILE: E167318



PROTECTIVE GROMMET  
(INCLUDED)

4 International Drive  
Rye Brook, NY 10573  
Toll Free: 1 888.764.7681  
Phone: 914.934.2075  
Fax: 914.934.2190  
MonoSystems.com

