

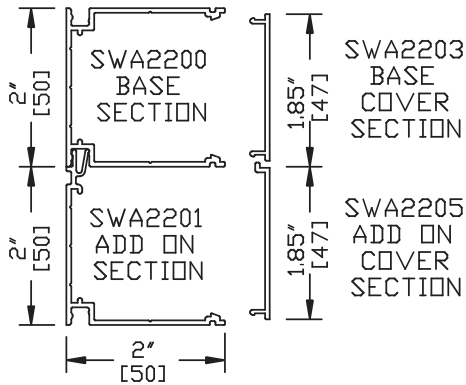
Surface Raceway / Aluminum SWA2219

SnapWay™ Accessories
Manufactured by MonoSystems, Inc.

1.25" Ø HOLE BASE COVER

Notes

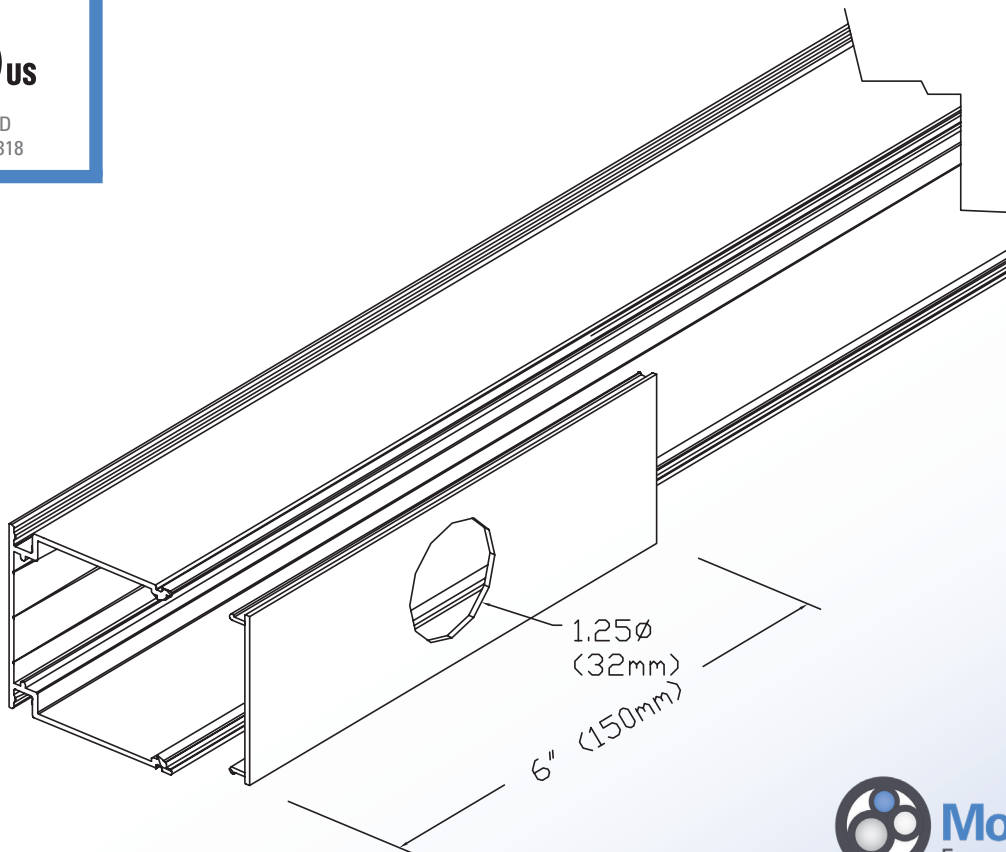
- 1.) 1.25" single round cover plate.



SWA2200 SERIES RACEWAY
SECTION VIEW
EACH ORDERED SEPARATELY
MATL.: .06" [1.5] THICK #6063-T6 ALUM.
SCALE: NONE



UL LISTED
FILE: E167318



4 International Drive
Rye Brook, NY 10573
Toll Free: 1 888.764.7681
Phone: 914.934.2075
Fax: 914.934.2190
MonoSystems.com

