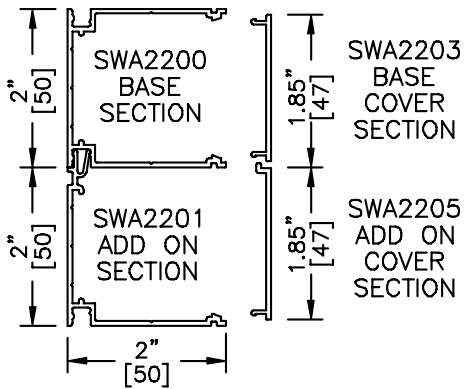


# Surface Raceway / Aluminum SWA2218

## SnapWay™ Fittings

Manufactured by MonoSystems, Inc.

### BASE HORIZONTAL EXTERNAL 90° ELBOW



**SWA2200 SERIES RACEWAY**  
SECTION VIEW  
EACH ORDERED SEPARATELY  
MATL.: .06" [1.5] THICK #6063-T6 ALUM.  
SCALE: NONE

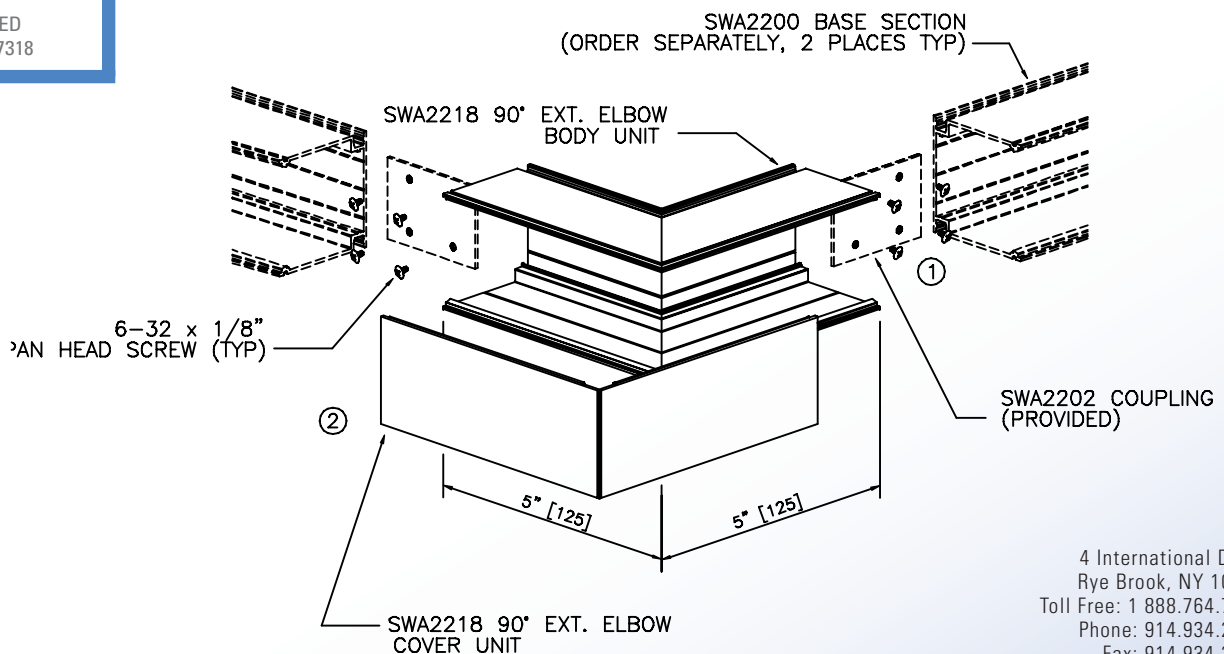
#### Assembly Instructions

- 1.) Connect SWA2218 base horizontal external 90° elbow body unit to existing SWA2200 base sections using provided SWA2202 couplings. Secure with four 6-32 x 1/8" screws (2 places TYP).
- 2.) Snap SWA2218 base horizontal 90° external elbow cover unit into each SWA2218 base horizontal external 90° elbow body unit as shown ensuring the secure fit of each cover leg into each body unit interlock.

Scale: None



UL LISTED  
FILE: E167318



4 International Drive  
Rye Brook, NY 10573  
Toll Free: 1 888.764.7681  
Phone: 914.934.2075  
Fax: 914.934.2190  
MonoSystems.com

