

Surface Raceway / Aluminum SWA2212

SnapWay™ Fittings

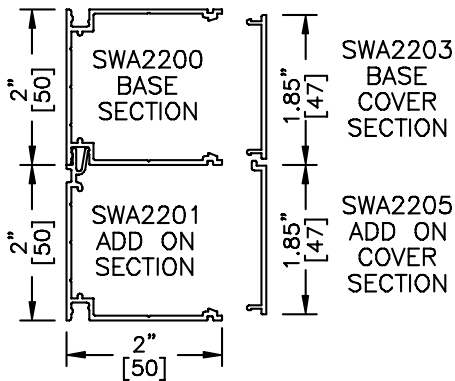
Manufactured by MonoSystems, Inc.

"L" ADD-ON TEE

Assembly Instructions

- 1.) Connect SWA2212 "L" add-on tee body unit to existing SWA2200 base section and SWA2201 "L" add-on sections using provided SWA2202 couplings. Secure with four 6-32 x 1/8" screws (3 places TYP).
- 2.) Snap each SWA2212 "L" add-on base tee cover unit into each SWA2212 "L" add-on tee body unit as shown ensuring the secure fit of each cover leg into each tee body unit interlock (2 places TYP).

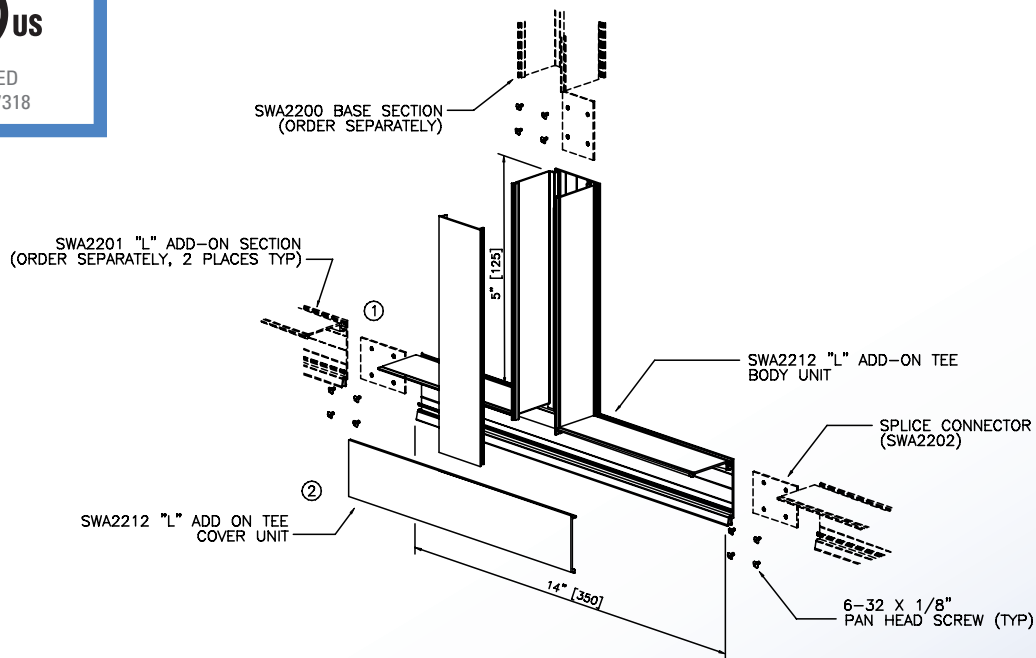
Scale: None



SWA2200 SERIES RACEWAY
SECTION VIEW
EACH ORDERED SEPARATELY
MATL.: .06" [1.5] THICK #6063-T6 ALUM.
SCALE: NONE



UL LISTED
FILE: E167318



4 International Drive
Rye Brook, NY 10573
Toll Free: 1 888.764.7681
Phone: 914.934.2075
Fax: 914.934.2190
MonoSystems.com

