

Surface Raceway / Aluminum SWA2211

SnapWay™ Accessories

Manufactured by MonoSystems, Inc.

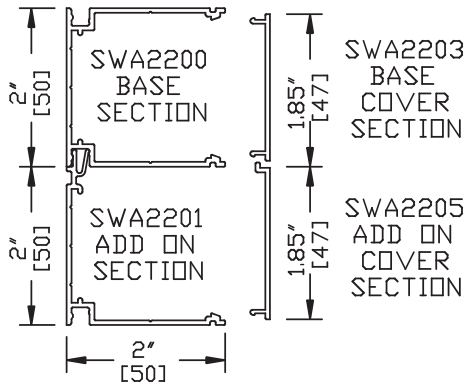
DUPLEX COVER PLATE

Notes

- 1.) Cover to base assembly instructions: Insert one leg of cover into intralock tab of base section, firmly press cover so that other leg securely snaps into place.
- 2.) Receptacle to cover assembly instructions: Receptacle mounted to required SWA2222 device bracket (ordered separately) using (2) #6-32 pan head Phil. screws. Cover mounted to device using (1) #6-32 flat head Phil. screw.
- 3.) Views for reference - do not scale.

Material

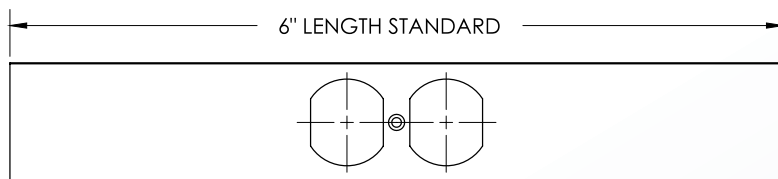
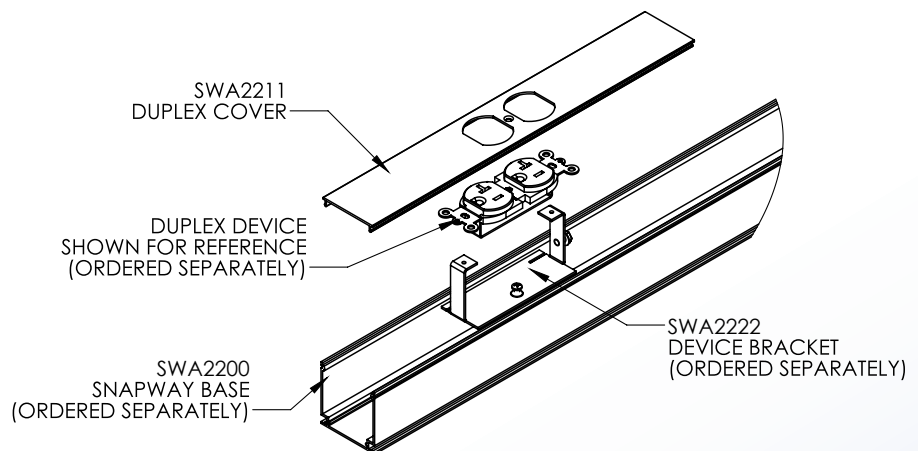
0.060" Thick, Satin Anodized 6063-T6 Aluminum.



SWA2200 SERIES RACEWAY
SECTION VIEW
EACH ORDERED SEPARATELY
MATL.: .06" [1.5] THICK #6063-T6 ALUM.
SCALE: NONE



UL LISTED
FILE: E167318



SWA2211
ORDERED WITH A
SWA2222 DEVICE BRACKET

4 International Drive
Rye Brook, NY 10573
Toll Free: 1 888.764.7681
Phone: 914.934.2075
Fax: 914.934.2190
MonoSystems.com

