

Surface Raceway / Aluminum SWA2210

SnapWay™ Fittings

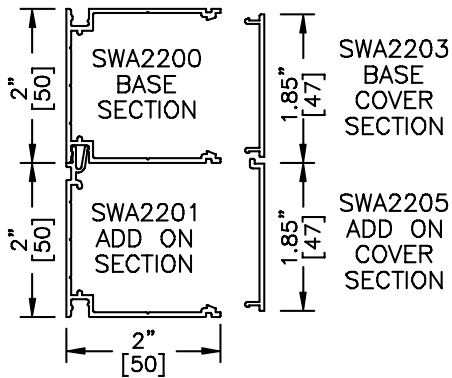
Manufactured by MonoSystems, Inc.

BASE TEE

Assembly Instructions

- 1.) Connect SWA2210 base tee body unit to existing SWA2200 base sections using provided SWA2202 couplings. Secure with four 6-32 x 1/8" screws (3 places TYP).
- 2.) Snap each SWA2210 base tee cover unit into each SWA2210 base tee body unit as shown ensuring the secure fit of each cover leg into each cross body unit interlock (2 places TYP).
- 3.) For two base sections where one base continuation is required.

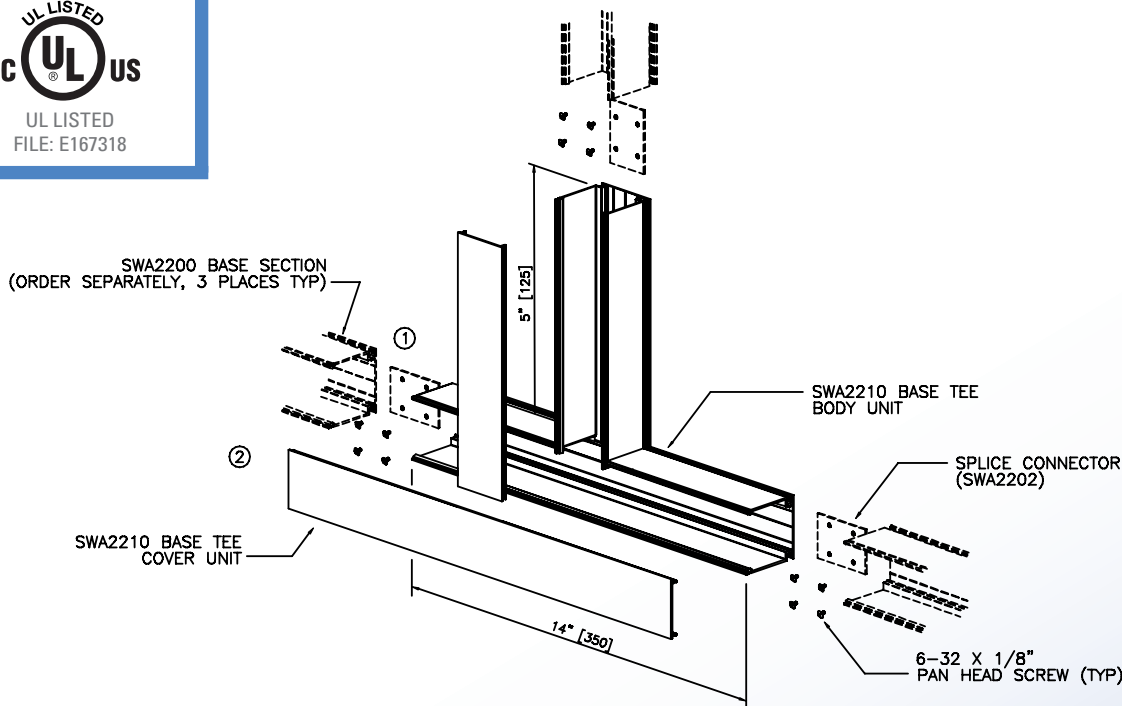
Scale: None



SWA2200 SERIES RACEWAY
SECTION VIEW
EACH ORDERED SEPARATELY
MATL.: .06" [1.5] THICK #6063-T6 ALUM.
SCALE: NONE



UL LISTED
FILE: E167318



4 International Drive
Rye Brook, NY 10573
Toll Free: 1 888.764.7681
Phone: 914.934.2075
Fax: 914.934.2190
MonoSystems.com

