

Surface Raceway / Aluminum SWA2206

SnapWay™ Fittings

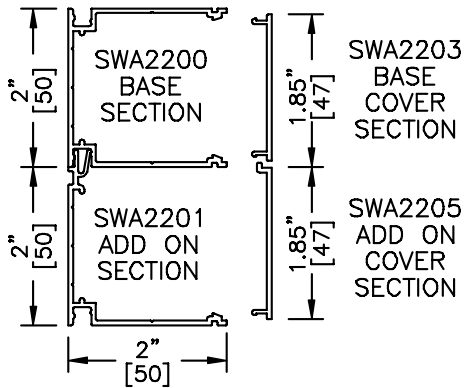
Manufactured by MonoSystems, Inc.

BASE CROSS

Assembly Instructions

- 1.) Connect SWA2206 base cross body unit to existing SWA2200 base sections using provided SWA2202 couplings. Secure with four 6-32 x 1/8" screws (4 places TYP).
- 2.) Snap each SWA2206 base cross cover unit into each SWA2206 base cross body unit as shown ensuring the secure fit of each cover leg into each cross body unit interlock (3 places TYP).
- 3.) For two runs of base section where both base sections intersect at 90° degrees and continue.

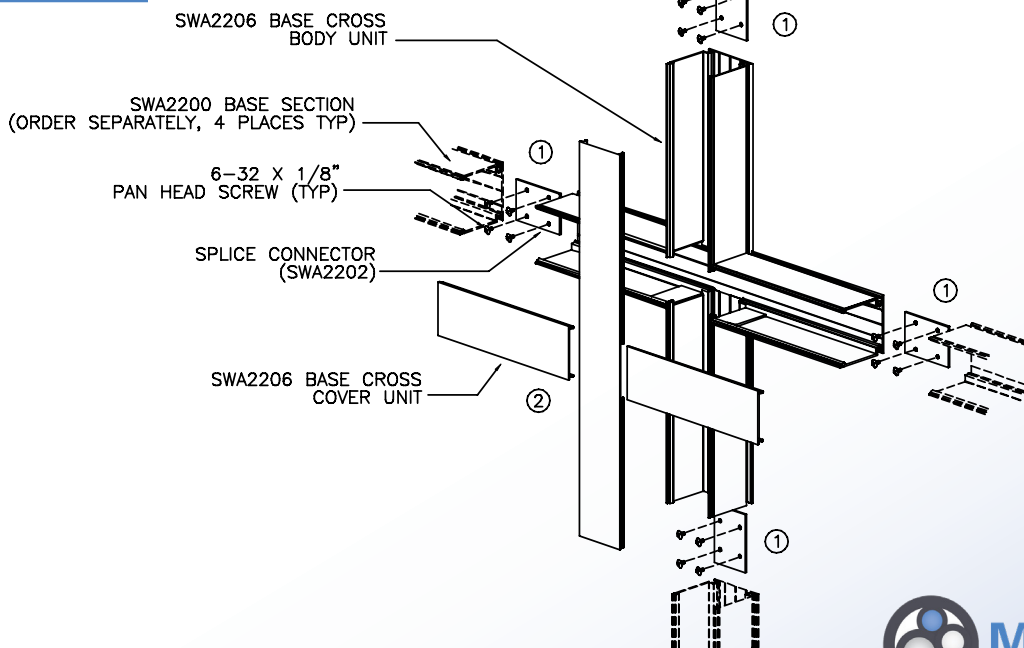
Scale: None



SWA2200 SERIES RACEWAY
SECTION VIEW
EACH ORDERED SEPARATELY
MATL.: .06" [1.5] THICK #6063-T6 ALUM.
SCALE: NONE



UL LISTED
FILE: E167318



4 International Drive
Rye Brook, NY 10573
Toll Free: 1 888.764.7681
Phone: 914.934.2075
Fax: 914.934.2190
MonoSystems.com

