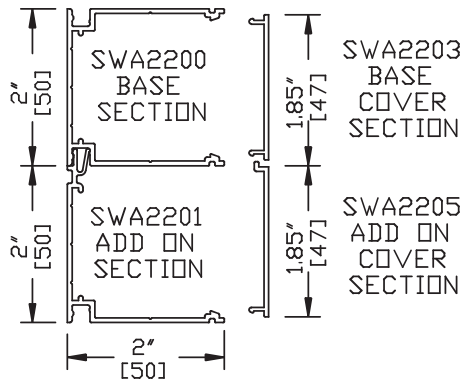


Surface Raceway / Aluminum SWA2205

SnapWay™

Manufactured by MonoSystems, Inc.

"L" ADD-ON COVER SECTION - 5' STD LENGTH



SWA2200 SERIES RACEWAY
SECTION VIEW
EACH ORDERED SEPARATELY
MATL.: .06" [1.5] THICK #6063-T6 ALUM.
SCALE: NONE

Assembly Instructions

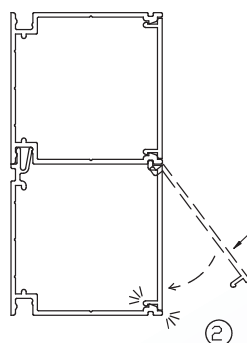
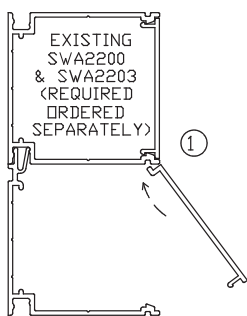
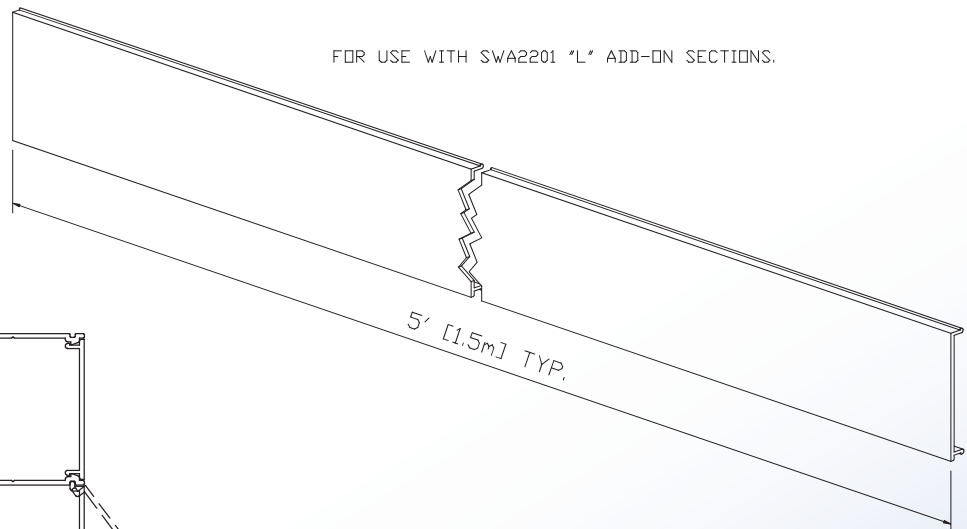
- 1.) Insert one leg of SWA2205 cover on to interlock tab of "L" add-on section.
- 2.) Firmly press cover so that other leg snaps securely into other interlock.

Scale: None



UL LISTED
FILE: E164140

FOR USE WITH SWA2201 "L" ADD-ON SECTIONS.



SWA2201 "L" ADD ON SECTION
(ORDERED SEPARATELY)

SWA2205 "L" ADD-ON COVER SECTION

4 International Drive
Rye Brook, NY 10573
Toll Free: 1 888.764.7681
Phone: 914.934.2075
Fax: 914.934.2190
MonoSystems.com

