

# Surface Raceway / Aluminum SWA2204

## SnapWay™ Accessories

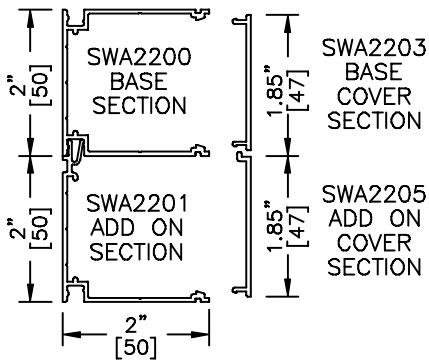
Manufactured by MonoSystems, Inc.

### BLANK END

#### Assembly Instructions

- 1.) Insert blank end fully into SWA2200 base section or SWA2201 "L" add-on section whichever applies.
- 2.) Secure using two 6-32 x 1/8" screws (provided).

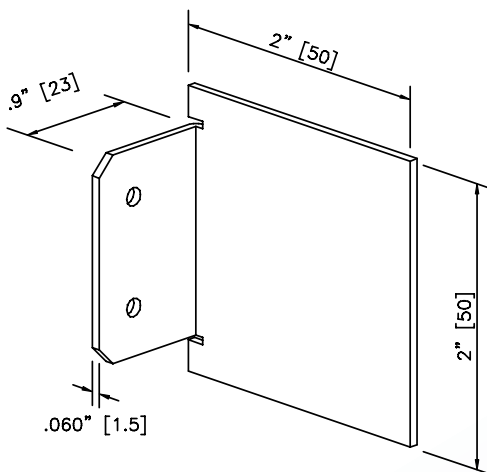
Scale: None



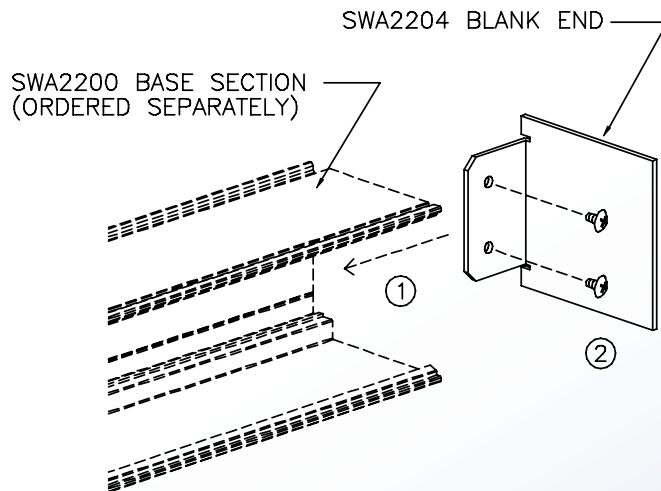
**SWA2200 SERIES RACEWAY**  
SECTION VIEW  
EACH ORDERED SEPARATELY  
MATL.: .06" [1.5] THICK #6063-T6 ALUM.  
SCALE: NONE



UL LISTED  
FILE: E167318



FOR USE WITH SWA2200 BASE SECTIONS,  
OR SWA2201 'L' ADD ON SECTIONS.  
(EACH ORDERED SEPARATELY)



4 International Drive  
Rye Brook, NY 10573  
Toll Free: 1 888.764.7681  
Phone: 914.934.2075  
Fax: 914.934.2190  
MonoSystems.com

