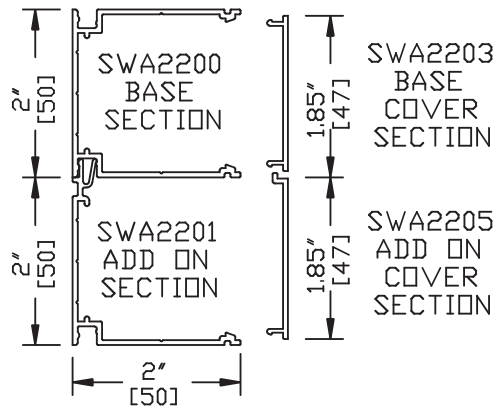


Surface Raceway / Aluminum SWA2203

SnapWay™

Manufactured by MonoSystems, Inc.

BASE COVER SECTION - 5' STD. LENGTH



SWA2200 SERIES RACEWAY
SECTION VIEW
EACH ORDERED SEPARATELY
MATL.: .06" [1.5] THICK #6063-T6 ALUM.
SCALE: NONE

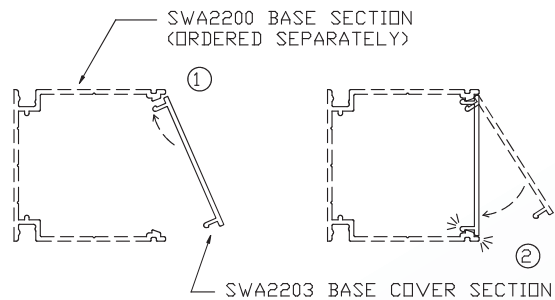
Assembly Instructions

- 1.) Insert one leg of SWA2203 cover on to interlock tab of base section.
- 2.) Firmly press cover so that other leg snaps securely into other interlock.
- 3.) To remove: Gently pry upward on the base and cover seam with a non-abrasive tool such as a plastic putty knife.

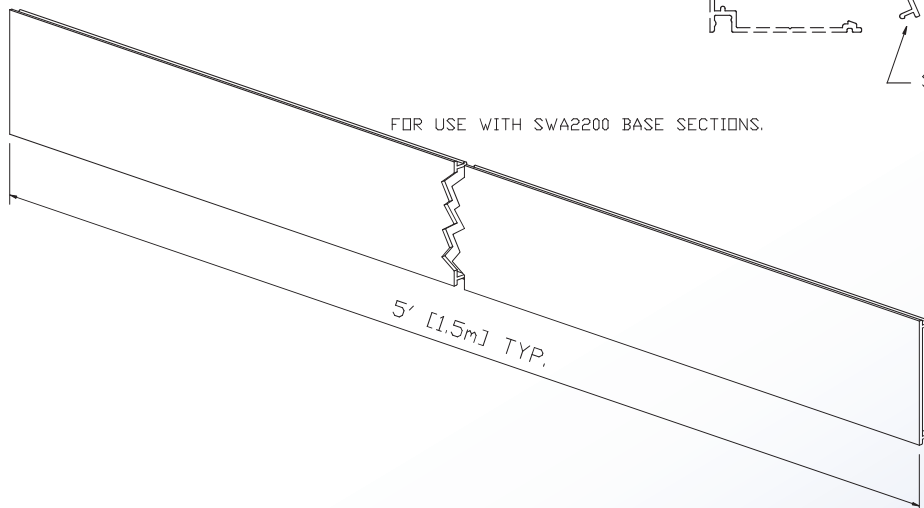
Scale: None



UL LISTED
FILE: E164140



FOR USE WITH SWA2200 BASE SECTIONS.



4 International Drive
Rye Brook, NY 10573
Toll Free: 1 888.764.7681
Phone: 914.934.2075
Fax: 914.934.2190
MonoSystems.com

