

Surface Raceway / Aluminum SWA2202

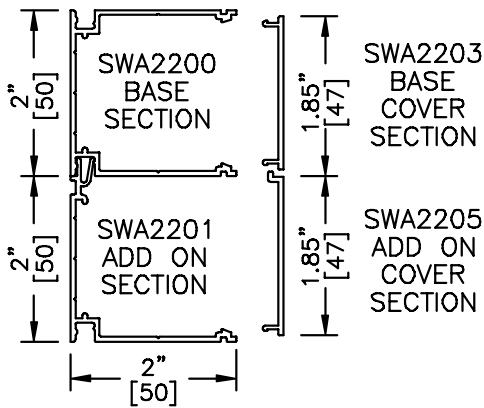
SnapWay™ Accessories
Manufactured by MonoSystems, Inc.

SPLICE CONNECTOR

Assembly Instructions

- 1.) Insert SWA2202 coupling into SWA2200 base section to be joined (or SWA2201 "L" add on section whichever applies).
- 2.) Secure using four 6-32 x 1/8" screws (provided).

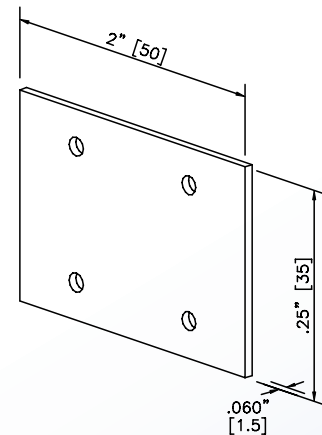
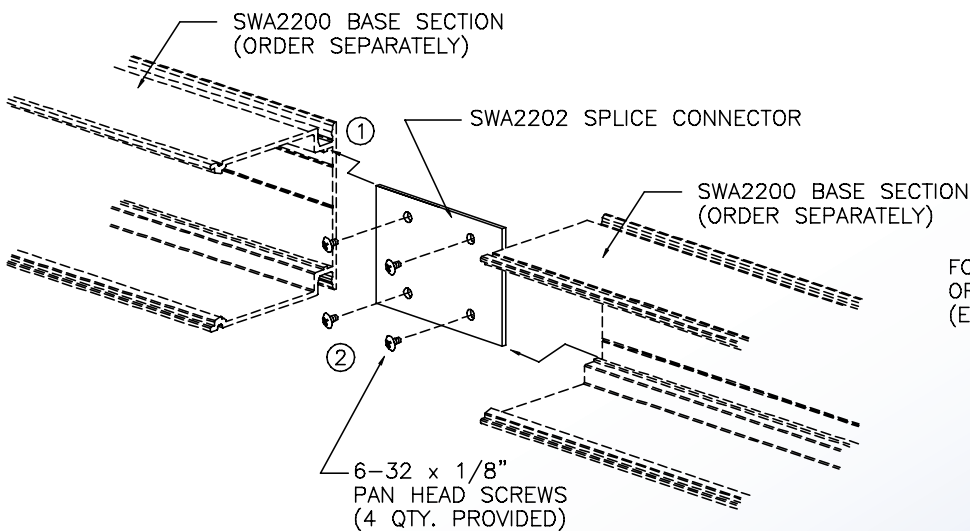
Scale: None



SWA2200 SERIES RACEWAY
SECTION VIEW
EACH ORDERED SEPARATELY
MATL.: .06" [1.5] THICK #6063-T6 ALUM.
SCALE: NONE



UL LISTED
FILE: E167318



FOR JOINING SWA2200 BASE SECTIONS,
OR SWA2201 "L" ADD ON SECTIONS.
(EACH ORDERED SEPARATELY)

4 International Drive
Rye Brook, NY 10573
Toll Free: 1 888.764.7681
Phone: 914.934.2075
Fax: 914.934.2190
MonoSystems.com

