

# Surface Raceway / Aluminum SWA2200CPO

SnapWay™

Manufactured by MonoSystems, Inc.

## COVER PLATE OPTIONS

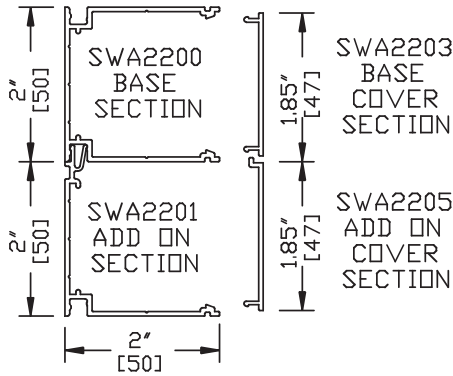
### Notes

- 1.) Recessed or two compartment flush cover types shall be available. Where two Raceway covers pass through a walls, floors or ceilings, the cover shall be cut on both sides of the wall, floor or ceiling to permit removal of the covers on each side of the obstruction.

Scale: None

### Materials

The Base "L" Sections And Cover Shall Be Manufactured Of 6063-T6 Aluminum Alloy With Nominal Material Thickness Of .060" (1.52Mm). The Surface Finish Shall Be Satin Anodized #204 Type Clear, Class R1 Mil-Spec With Minimum Finish Of .004".

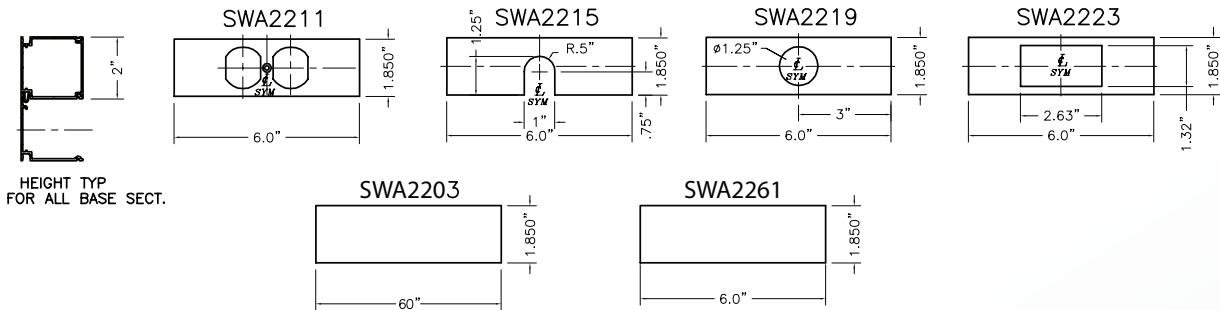


SWA2200 SERIES RACEWAY  
SECTION VIEW  
EACH ORDERED SEPARATELY  
MATL.: .06" [1.5] THICK #6063-T6 ALUM.  
SCALE: NONE

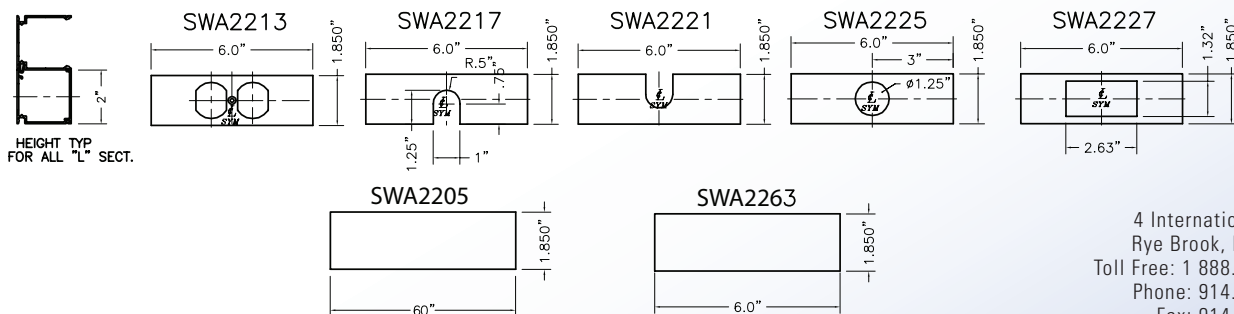


UL LISTED  
FILE: E167318

### BASE SECTION COVERS



### "L" SECTION COVERS



4 International Drive  
Rye Brook, NY 10573  
Toll Free: 1 888.764.7681  
Phone: 914.934.2075  
Fax: 914.934.2190  
MonoSystems.com

