

Surface Raceway / Steel SMS44A4

SnapMark™ Fittings

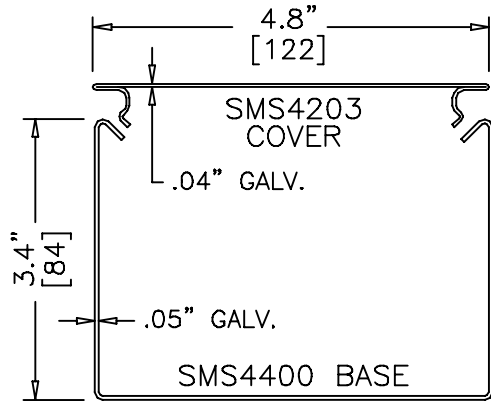
Manufactured by MonoSystems, Inc.

DEEP DEVICE BOX

Assembly Instructions

- 1.) Attach deep device box (SMS44A4) to SMS4400 base sections using two SMS4402 couplings (Order separately).
- 2.) Install and terminate wiring devices as per NEC and local codes. Install commercially available device plate. (Devices, device plates and device hardware by others)
- 3.) Snap provided cover over SMS44A4 box raceway opening.

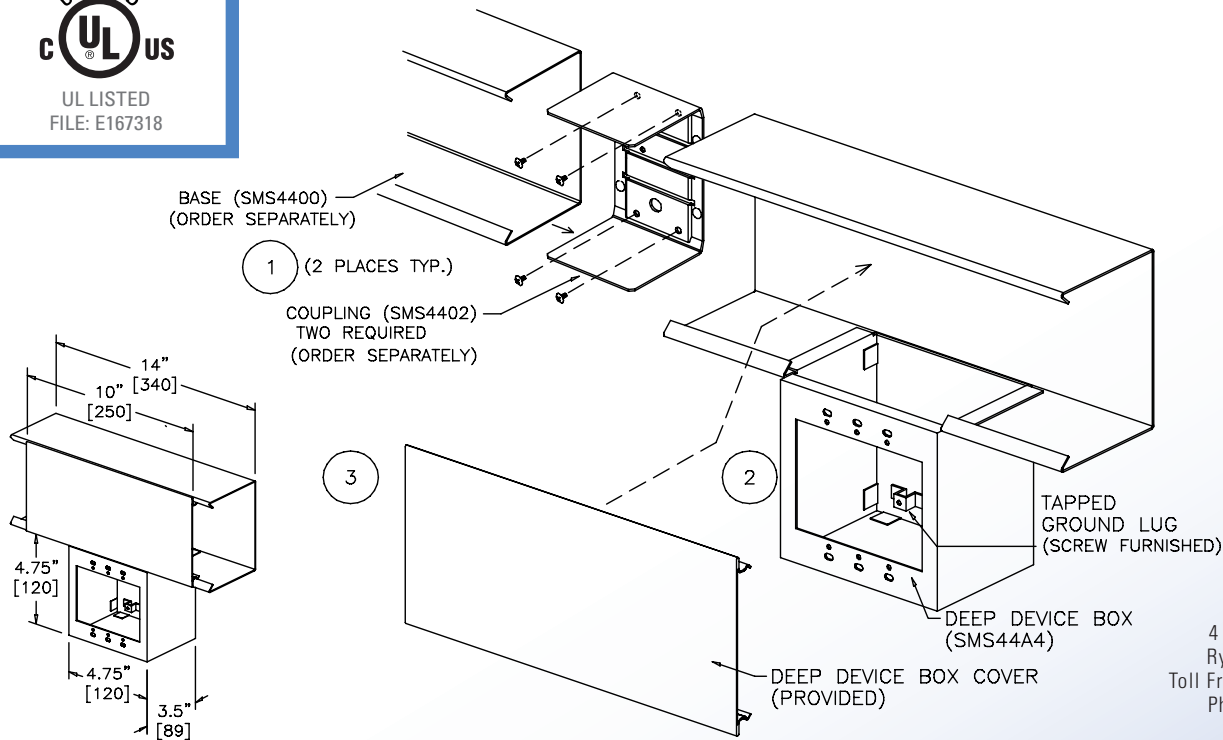
Available in Standard Gray or Ivory
(Add "-I" suffix to specify Ivory)



SMS4400 SERIES
STEEL RACEWAY
SECTION VIEW
EACH ORDERED SEPARATELY
SCALE: NONE



UL LISTED
FILE: E167318



DEEP DEVICE BOX (SMS44A4)

4 International Drive
Rye Brook, NY 10573
Toll Free: 1 888.764.7681
Phone: 914.934.2075
Fax: 914.934.2190
MonoSystems.com

