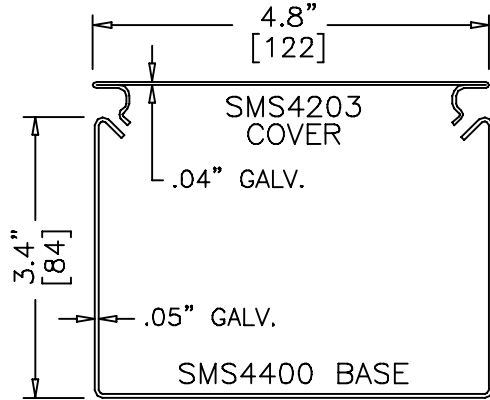


Surface Raceway / Steel SMS4416

SnapMark™ Fittings
Manufactured by MonoSystems, Inc.

CONVERTER COUPLING



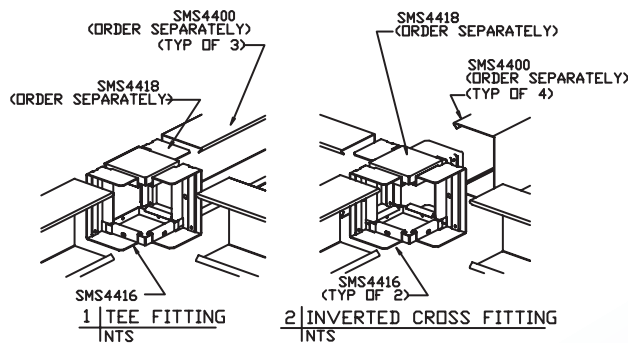
SMS4400 SERIES
STEEL RACEWAY
SECTION VIEW
EACH ORDERED SEPARATELY
SCALE: NONE

Note: The SMS4416 converter coupling is offered as a single component. Refer to figures 1, 2, 3, and 4 for assembly configuration options for use with SMS4418 and SMS4419.

Material
Galvanized Steel – Unpainted

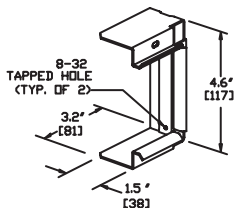


UL LISTED
FILE: E167318

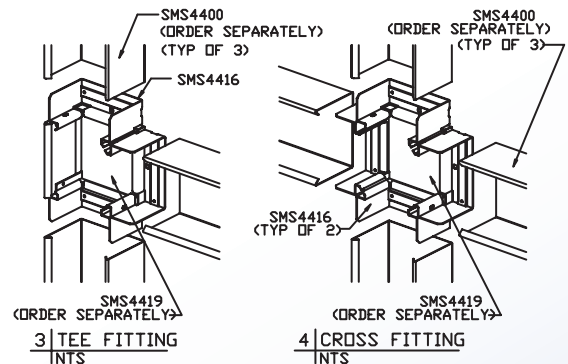


SMS4418 ASSEMBLY / CONFIGURATION OPTIONS

- A. THE SMS4418 UNIVERSAL INT./EXT. UNIVERSAL ELBOW IN COMBINATION WITH 1 SMS4416 CONVERTER COUPLING CAN BE USED TO ASSEMBLE A TEE FITTING.
- B. THE SMS4418 UNIVERSAL INT./EXT. UNIVERSAL ELBOW IN COMBINATION WITH 2 SMS4416 CONVERTER COUPLINGS CAN BE USED TO ASSEMBLE A CROSS OR INVERTED CROSS FITTING.



CONVERTER COUPLING (SMS4416)
(4 QTY 8-32 x 3/16" FURNISHED)



SMS4419 ASSEMBLY / CONFIGURATION OPTIONS

- C. THE SMS4419 UNIVERSAL FLAT ELBOW IN COMBINATION WITH 1 SMS4416 CONVERTER COUPLING CAN BE USED TO ASSEMBLE A TEE FITTING.
- D. THE SMS4419 UNIVERSAL FLAT ELBOW IN COMBINATION WITH 2 SMS4416 CONVERTER COUPLINGS CAN BE USED TO ASSEMBLE A CROSS FITTING.

4 International Drive
Rye Brook, NY 10573
Toll Free: 1 888.764.7681
Phone: 914.934.2075
Fax: 914.934.2190
MonoSystems.com

