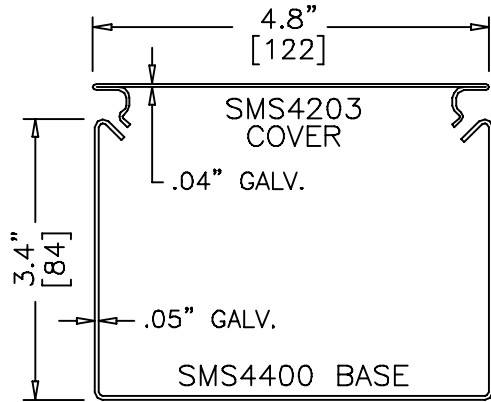


Surface Raceway / Steel SMS4411

SnapMark™ Fittings
Manufactured by MonoSystems, Inc.

DIVIDED TEE



SMS4400 SERIES
STEEL RACEWAY
SECTION VIEW
EACH ORDERED SEPARATELY
SCALE: NONE

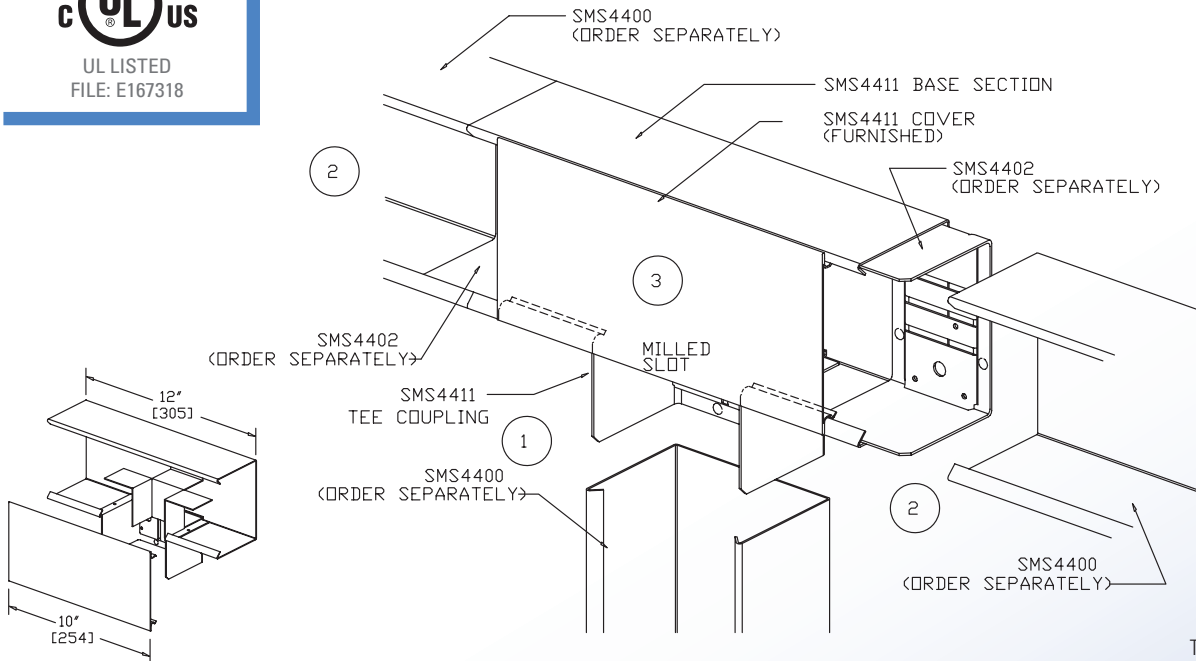
Assembly Instructions

- 1.) Insert divided tee coupling into SMS4400 base section and secure using four 8-32 x 3/16" pan head screws (furnished).
- 2.) Connect SMS4411 to base section using SMS4402 couplings (two places), order SMS4402 couplings separately.
- 3.) Align divided tee cover milled slot with tee coupling, and snap into place.

Available in Standard Gray or Ivory
(Add "-I" suffix to specify Ivory)



UL LISTED
FILE: E167318



DIVIDED TEE - (SMS4411)

4 International Drive
Rye Brook, NY 10573
Toll Free: 1 888.764.7681
Phone: 914.934.2075
Fax: 914.934.2190
MonoSystems.com

