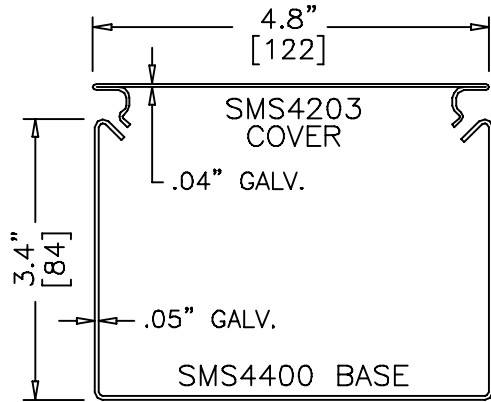


# Surface Raceway / Steel SMS4410

SnapMark™ Fittings  
Manufactured by MonoSystems, Inc.

## TEE



SMS4400 SERIES  
STEEL RACEWAY  
SECTION VIEW  
EACH ORDERED SEPARATELY  
SCALE: NONE

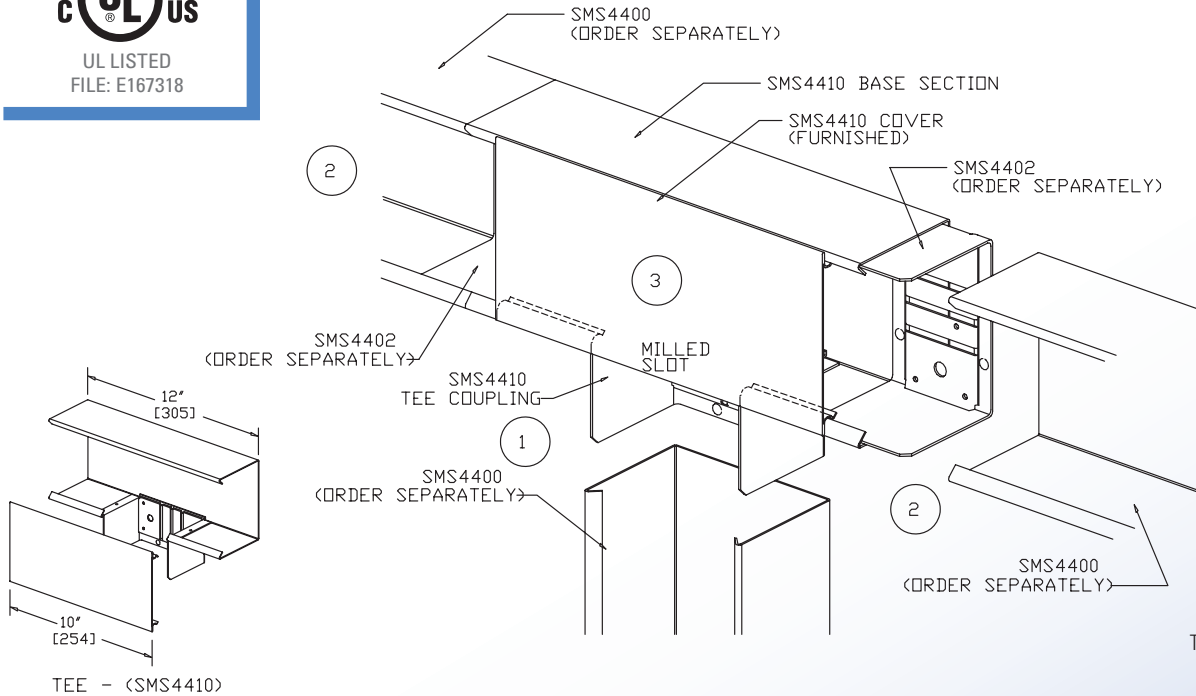
### Assembly Instructions

- 1.) Insert tee coupling into SMS4400 base section and secure using four 8-32 x 3/16" pan head screws (furnished).
- 2.) Connect SMS4410 to base section using SMS4402 couplings (two places), order SMS4402 couplings separately.
- 3.) Align tee cover milled slot with tee coupling, and snap into place.

Available in Standard Gray or Ivory  
(Add "-I" suffix to specify Ivory)



UL LISTED  
FILE: E167318



4 International Drive  
Rye Brook, NY 10573  
Toll Free: 1 888.764.7681  
Phone: 914.934.2075  
Fax: 914.934.2190  
MonoSystems.com

