

Surface Raceway / Steel SMS4408

SnapMark™ Accessories

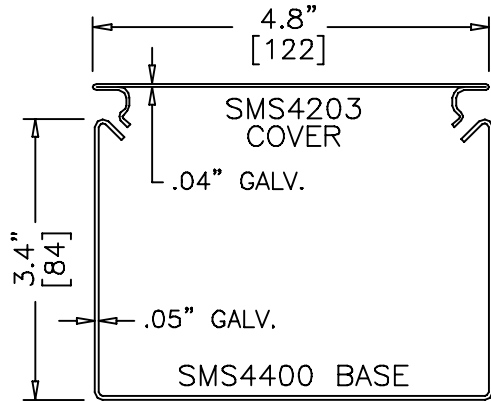
Manufactured by MonoSystems, Inc.

COVER CLIP

Assembly Instructions

- 1.) Insert one edge of cover clip under lip of SMS4400 base.
- 2.) Firmly press cover clip into place ensuring that both sides are completely snapped into base section.

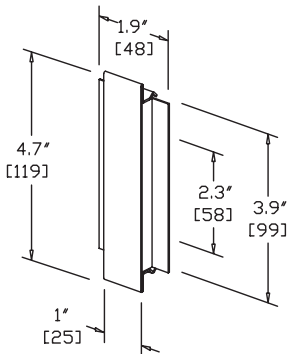
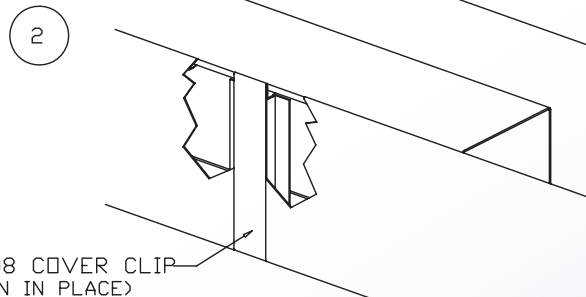
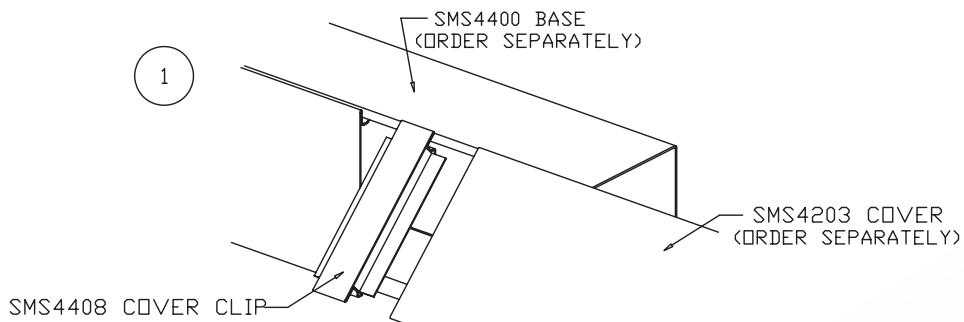
Available in Standard Gray or Ivory
(Add "-I" suffix to specify Ivory)



SMS4400 SERIES
STEEL RACEWAY
SECTION VIEW
EACH ORDERED SEPARATELY
SCALE: NONE



UL LISTED
FILE: E167318



COVER CLIP - (SMS4408)

4 International Drive
Rye Brook, NY 10573
Toll Free: 1 888.764.7681
Phone: 914.934.2075
Fax: 914.934.2190
MonoSystems.com

