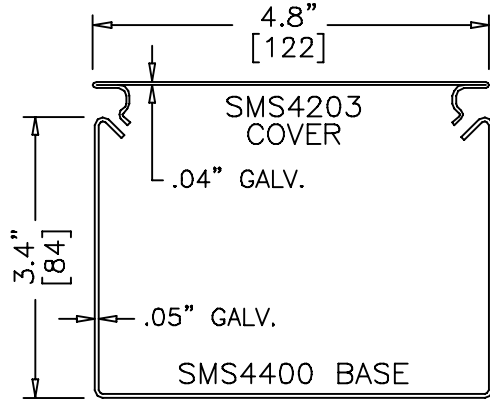


Surface Raceway / Steel SMS4405

SnapMark™ Fittings
Manufactured by MonoSystems, Inc.

DIVIDED ENTRANCE END



SMS4400 SERIES
STEEL RACEWAY
SECTION VIEW
EACH ORDERED SEPARATELY
SCALE: NONE

Assembly Instructions

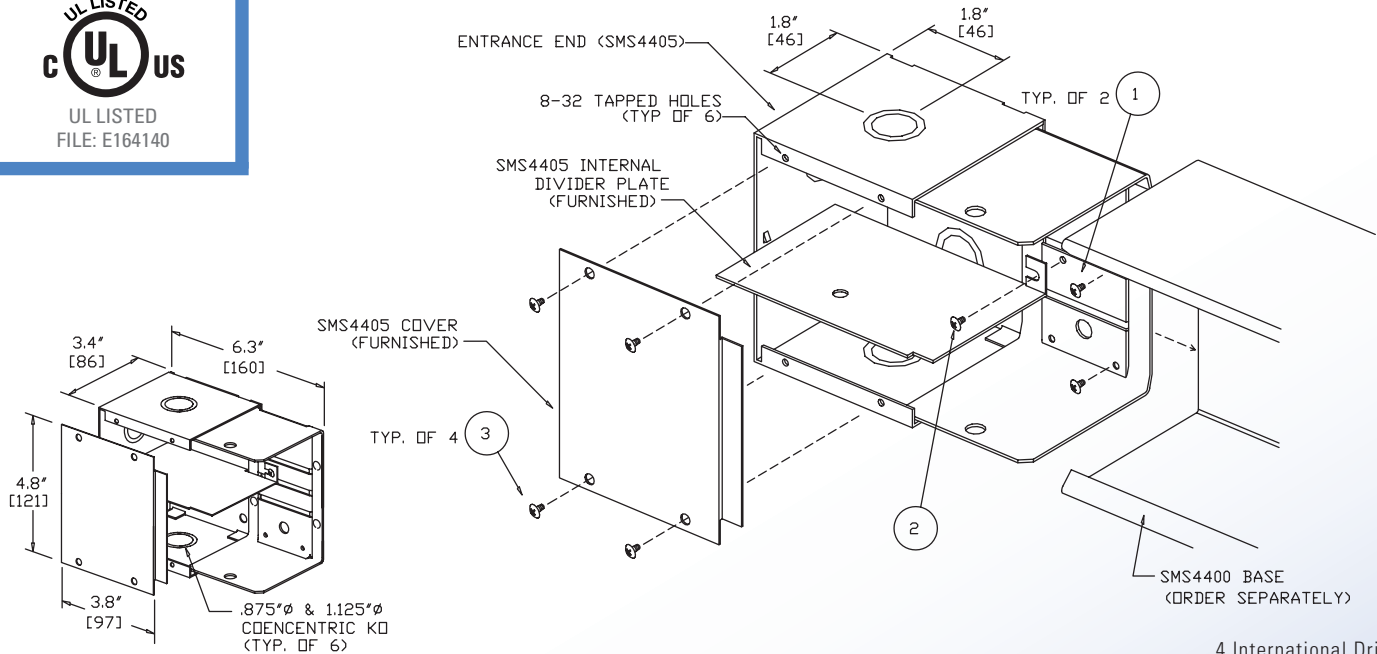
- 1.) Slide entrance end into end of SMS4400 base section. Secure using two 8-32 x 3/16" pan head screws.
- 2.) Fasten internal divider plate to entrance end using one 8-32 x 3/16" pan head screw.
- 3.) Secure entrance end cover using four 8-32 x 3/16" pan head screws.

(Assembly fasteners furnished)

Available in Standard Gray or Ivory.
(Add "-I" suffix to specify Ivory)



UL LISTED
FILE: E164140



DIVIDED ENTRANCE END (SMS4405)

4 International Drive
Rye Brook, NY 10573
Toll Free: 1 888.764.7681
Phone: 914.934.2075
Fax: 914.934.2190
MonoSystems.com

