

Surface Raceway / Steel SMS4404

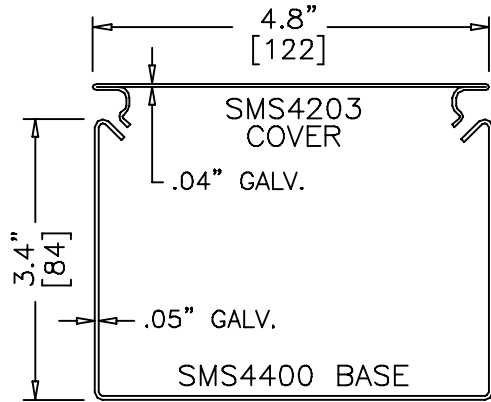
SnapMark™ Fittings
Manufactured by MonoSystems, Inc.

BLANK END FITTING

Assembly Instructions

- 1.) Insert blank end fully into SMS4400 base section. Secure with two 8-32 x 3/16" pan head screws (Furnished).

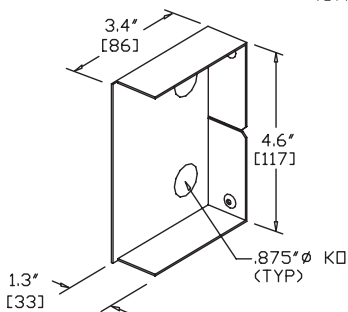
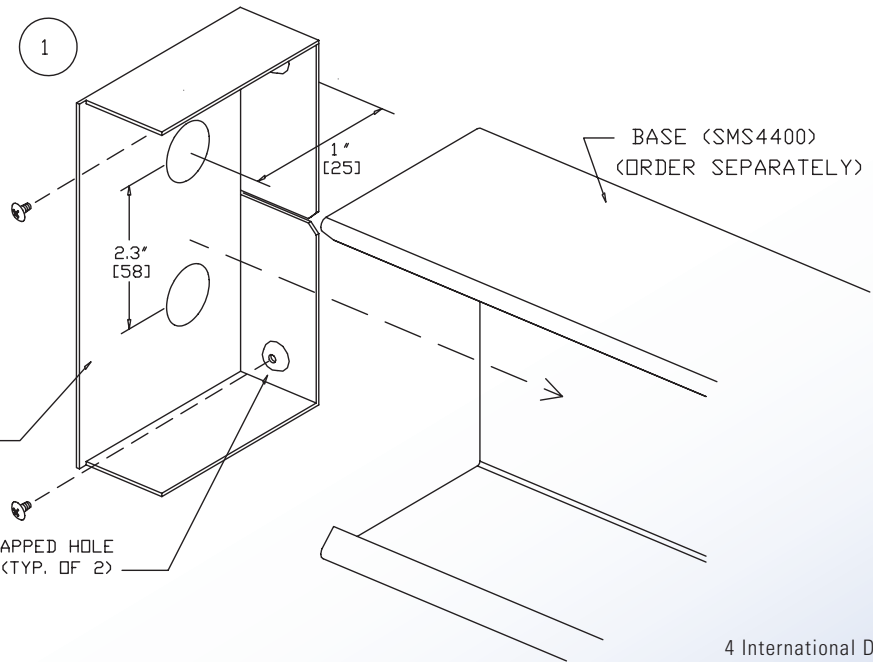
Available in Standard Gray or Ivory.
(Add "-I" suffix to specify Ivory)



SMS4400 SERIES
STEEL RACEWAY
SECTION VIEW
EACH ORDERED SEPARATELY
SCALE: NONE



UL LISTED
FILE: E167318



BLANK END FITTING (SMS4404)

4 International Drive
Rye Brook, NY 10573
Toll Free: 1 888.764.7681
Phone: 914.934.2075
Fax: 914.934.2190
MonoSystems.com

