

Surface Raceway / Steel SMS4401

SnapMark™ Accessories

Manufactured by MonoSystems, Inc.

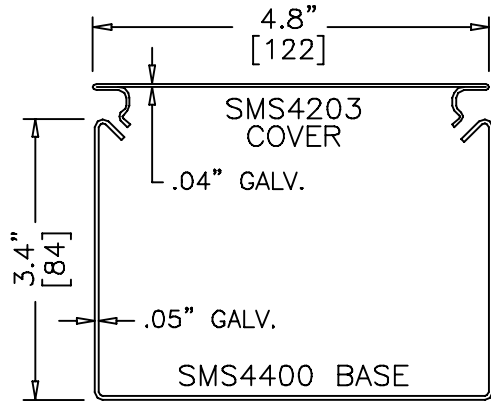
DIVIDER CLIP

Assembly Instructions

- 1.) Bend out retainer tabs approx. 1/16" away from back surface as shown.
- 2.) Insert divider clip into raceway one leg at a time as shown.
- 3.) Firmly press clip into place ensuring that both sides are completely snapped into lips of base section as shown.
- 4.) Position SMS4407 divider strip into place. Snap into retainer tabs as shown to secure divider strip in place. (Push retainer tabs back in to remove divider strip if required).

Material

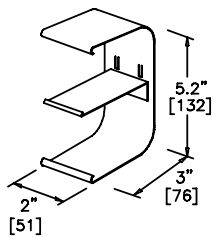
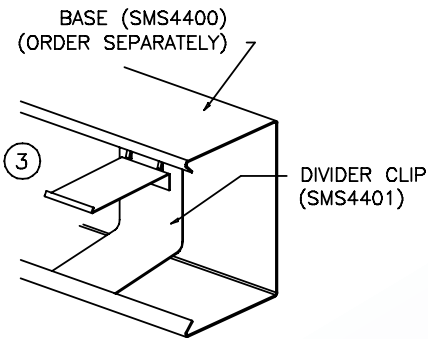
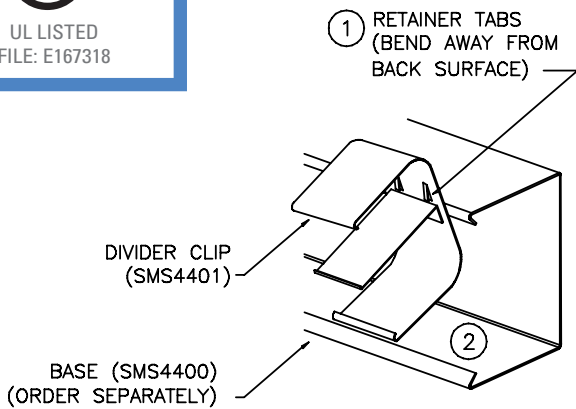
Galvanized Steel – Unpainted



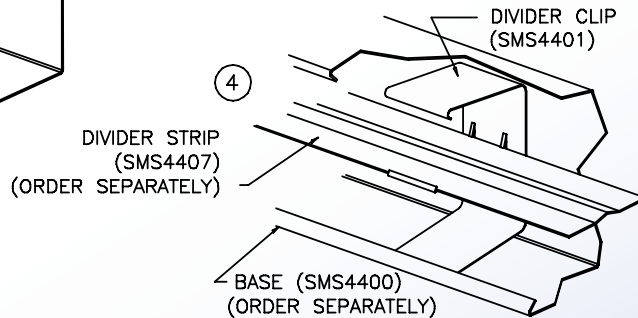
SMS4400 SERIES
STEEL RACEWAY
SECTION VIEW
EACH ORDERED SEPARATELY
SCALE: NONE



UL LISTED
FILE: E167318



DIVIDER CLIP (SMS4401)



RECOMMENDED DIVIDER CLIP SPACING – 30" ON CENTER

4 International Drive
Rye Brook, NY 10573
Toll Free: 1 888.764.7681
Phone: 914.934.2075
Fax: 914.934.2190
MonoSystems.com

