

Surface Raceway / Steel SMS4400-31-35

SnapWay™ Accessories
Manufactured by MonoSystems, Inc.

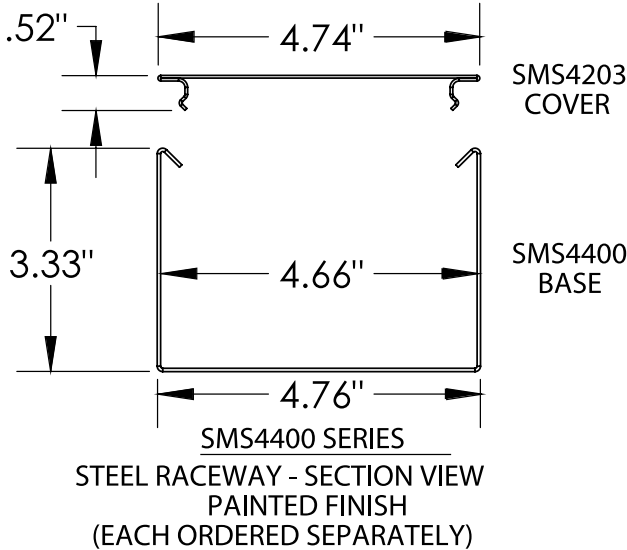
STEEL RACEWAY COVER

Assembly Instructions

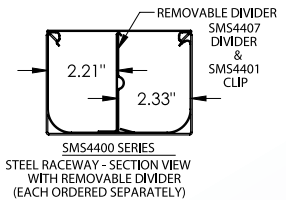
- 1.) Firmly press cover into place ensuring that both sides are completely snapped into base section. Face should overlap top of cover by as much as 1/4" on each side.
- 2.) To remove cover: Gently pry upward on base and cover seam with a non-abrasive tool such as a plastic putty knife.
- 3.) Cover tabs can be bent in or out to help adjust fitment.
- 4.) See CS-SMS4235-SMS4289 for available cover options.
- 5.) See CS-SMS4231-SMS4289 for available cover options.
- 6.) Views for reference - do not scale.

Material

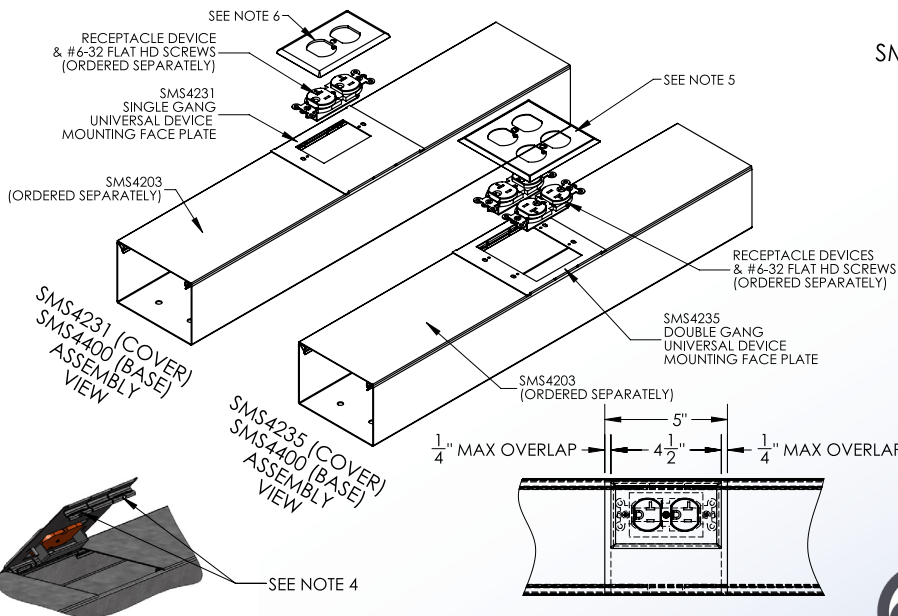
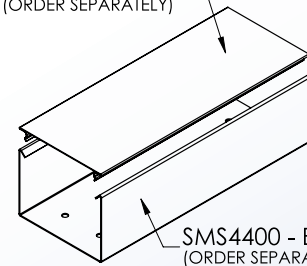
20ga Galv. Steel. Color: Standard Gray or Ivory (Add -I suffix to part number). Custom colors also available.



UL LISTED
FILE: E167318



SMS4203 - COVER
(ORDER SEPARATELY)



4 International Drive
Rye Brook, NY 10573
Toll Free: 1 888.764.7681
Phone: 914.934.2075
Fax: 914.934.2190
MonoSystems.com

