

Surface Raceway / Steel SMS42DB

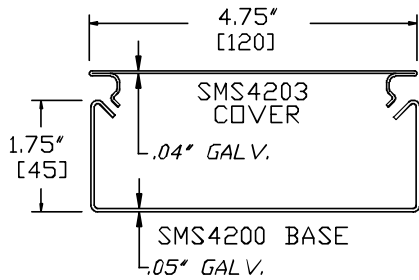
SnapMark™ Install

Manufactured by MonoSystems, Inc.

DEVICE BRACKET INSTALLATION

Notes

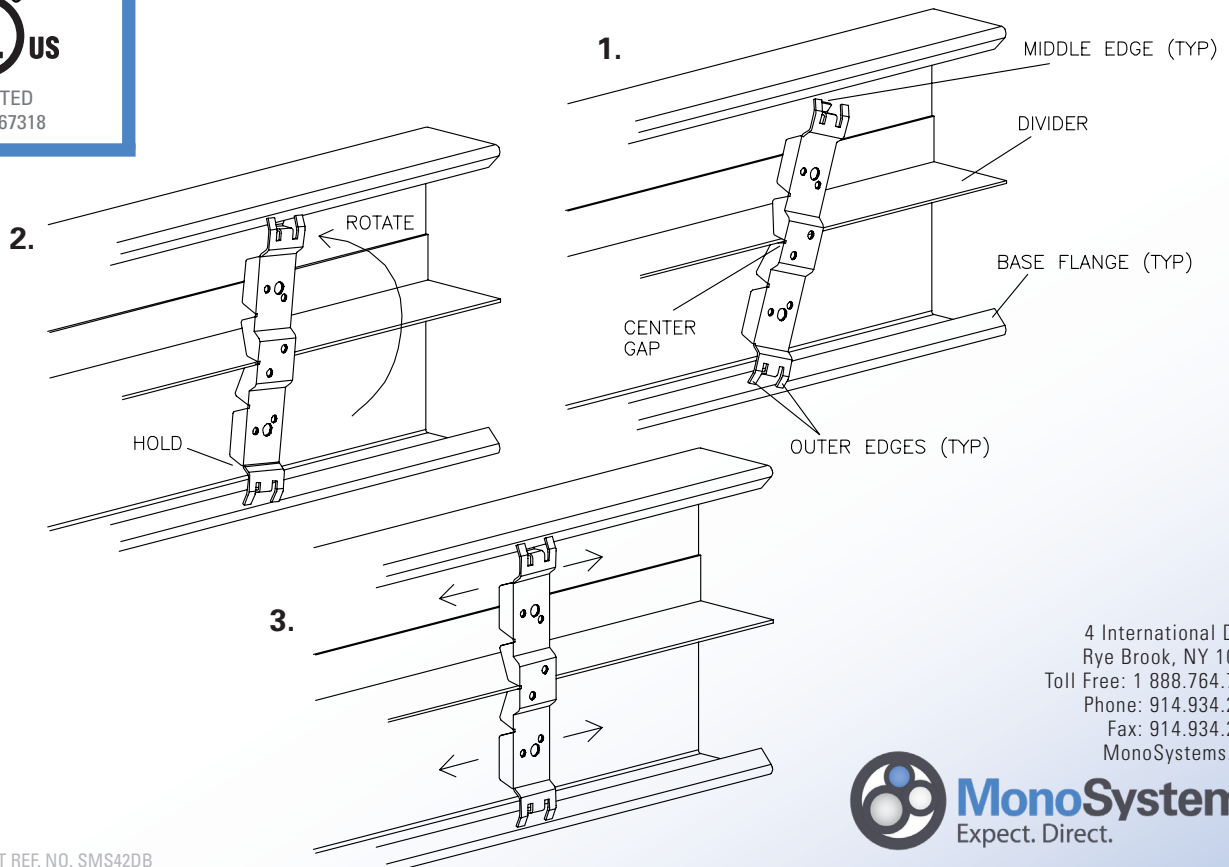
- 1.) Insert middle edge of device bracket under bottom base flange as shown, ensure outer edges are over base flange and center gap is over divider.
- 2.) Rotate middle edge of device bracket under top base flange and across divider. Ensure all outer edges are over base flange.
- 3.) Position device bracket to required location.



SMS4200 SERIES
STEEL RACEWAY
SECTION VIEW
EACH ORDERED SEPARATELY
SCALE: NONE



UL LISTED
FILE: E167318



4 International Drive
Rye Brook, NY 10573
Toll Free: 1 888.764.7681
Phone: 914.934.2075
Fax: 914.934.2190
MonoSystems.com

