

# Surface Raceway / Steel

# SMS4289BB

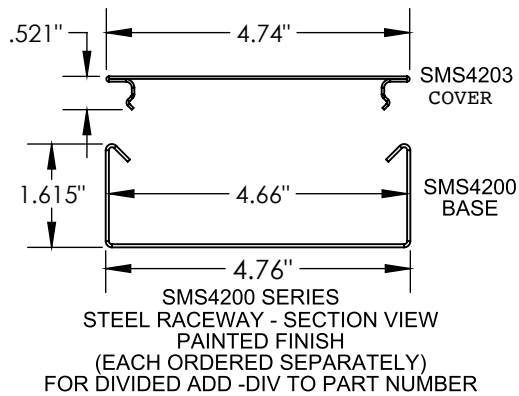
## SnapMark™ Accessories

Manufactured by MonoSystems, Inc.

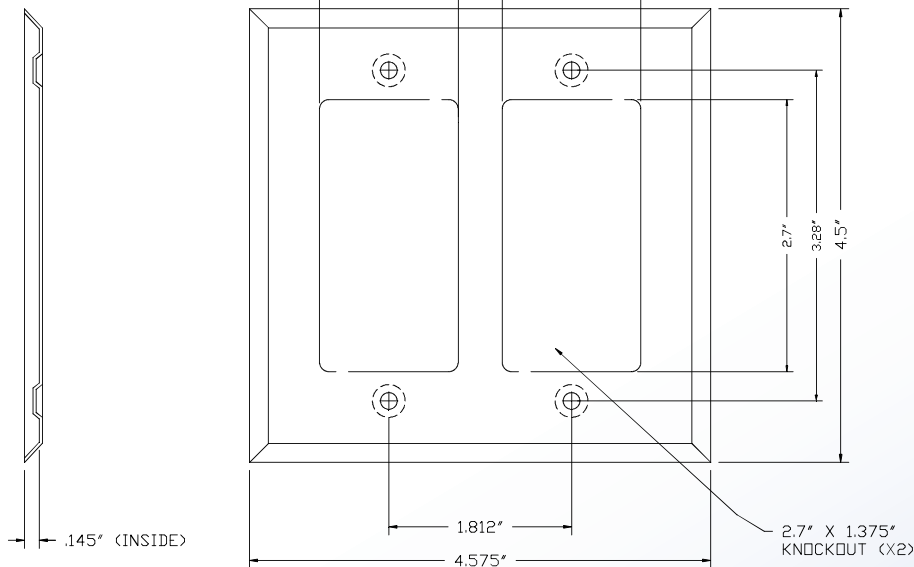
### DUPLEX RECTANGLE KO DEVICE FACEPALTE

#### Notes

Available in standard Gray or Ivory (add "-I" suffix to specify Ivory).



UL LISTED  
FILE: E167318



4 International Drive  
Rye Brook, NY 10573  
Toll Free: 1 888.764.7681  
Phone: 914.934.2075  
Fax: 914.934.2190  
MonoSystems.com

