

Surface Raceway / Steel SMS4289A

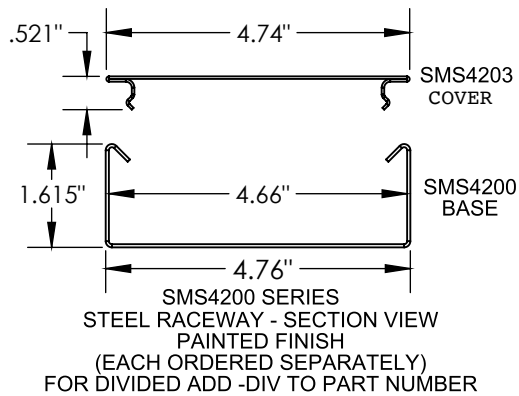
SnapMark™ Accessories

Manufactured by MonoSystems, Inc.

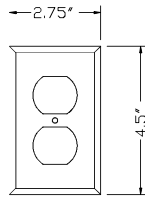
DUPLIX DEVICE COVER PLATE

Notes

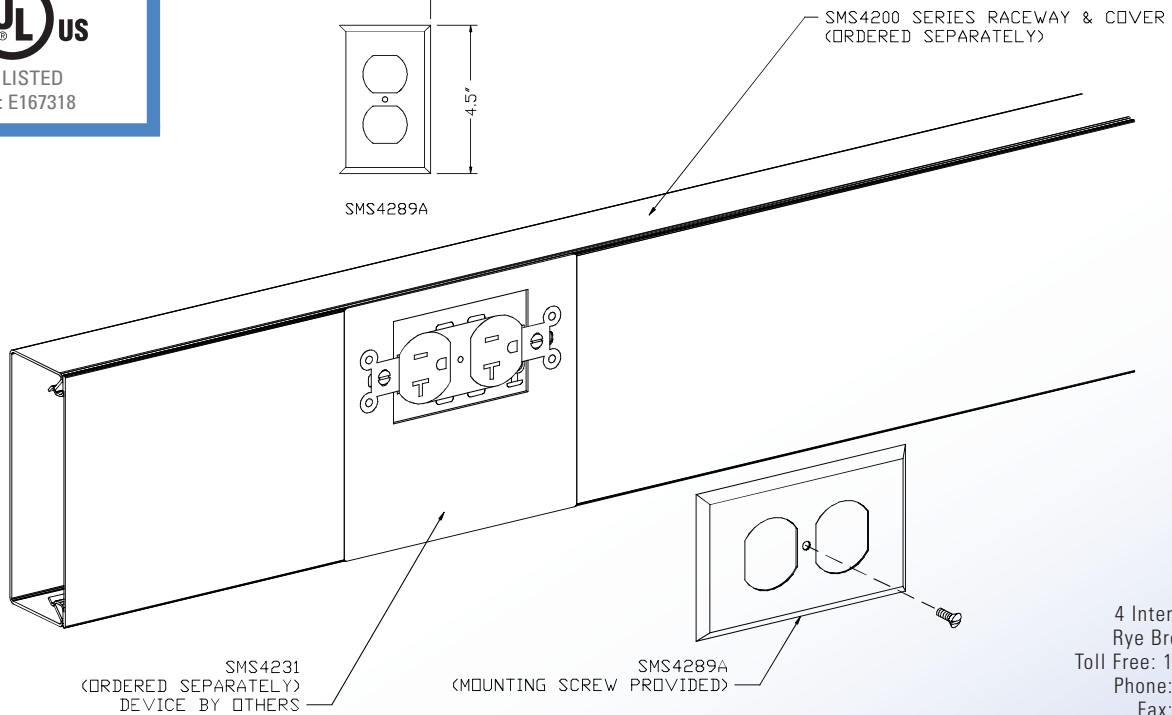
Available in standard Gray or Ivory (add "-I" suffix to specify Ivory).



UL LISTED
FILE: E167318



SMS4289A



4 International Drive
Rye Brook, NY 10573
Toll Free: 1 888.764.7681
Phone: 914.934.2075
Fax: 914.934.2190
MonoSystems.com

