

# Surface Raceway / Steel SMS4286

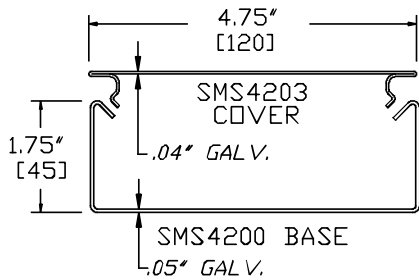
**SnapMark™ Fittings**  
Manufactured by MonoSystems, Inc.

## PANEL CONNECTOR

### Assembly Instructions

- 1.) Position panel connector coupling through opening in enclosure box (by others) so that embossed 8-32 holes are on the exterior. Slide SMS4200 base onto panel connector coupling and secure with provided 8-32 x 3/16" pan head screws.
- 2.) Attach panel connector clip as shown on outside of panel box and secure in place using two 8-32 x 1/4" pan head screws.

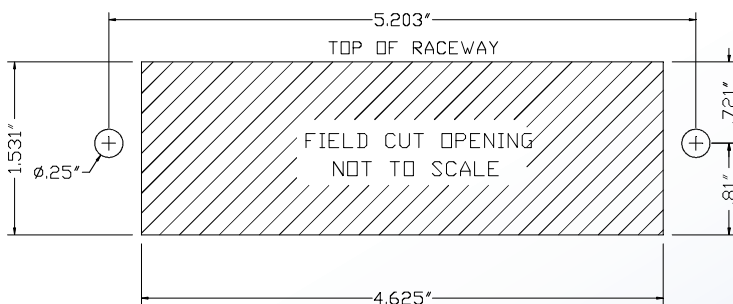
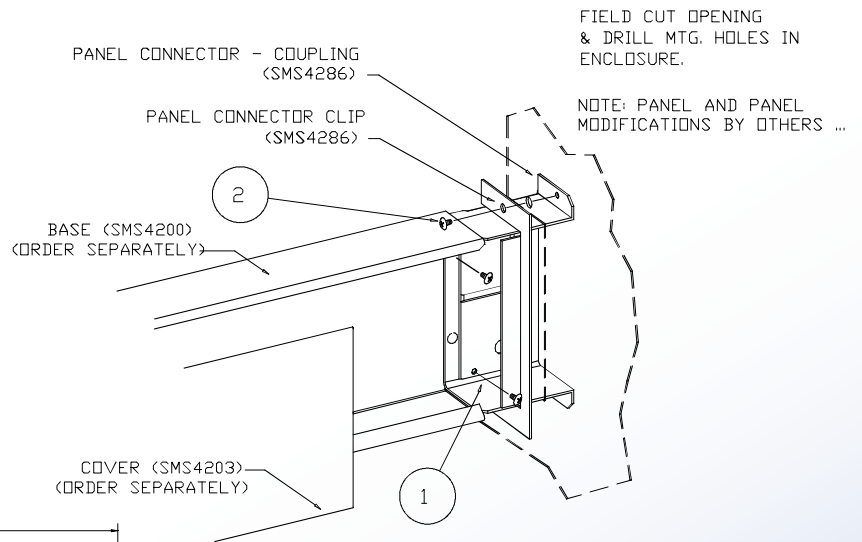
Available in standard Gray or Ivory (add "-I" suffix to specify Ivory).



SMS4200 SERIES  
STEEL RACEWAY  
SECTION VIEW  
EACH ORDERED SEPARATELY  
SCALE: NONE



UL LISTED  
FILE: E167318



4 International Drive  
Rye Brook, NY 10573  
Toll Free: 1 888.764.7681  
Phone: 914.934.2075  
Fax: 914.934.2190  
MonoSystems.com

