

Surface Raceway / Steel SMS4260

SnapMark™ Accessories

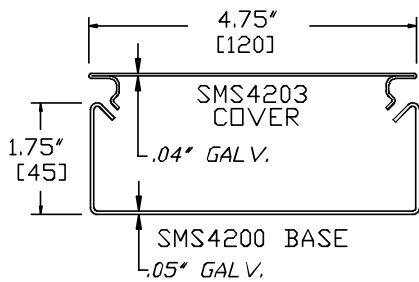
Manufactured by MonoSystems, Inc.

DUPLEX PLATE

Assembly Instructions

- 1.) Insert one edge of device bracket over lip of SMS4200 base section in approximated area for device cover. Gently seat opposite end of device bracket using a slot head screwdriver. Ensure that both sides of bracket are correctly secured to base.
- 2.) Determine approximate distance for second device bracket, and affix to base in a similar fashion.
- 3.) Terminate wiring per local codes.
- 4.) After device(s) are secured properly to bracket (not shown), cover may be snapped over devices.

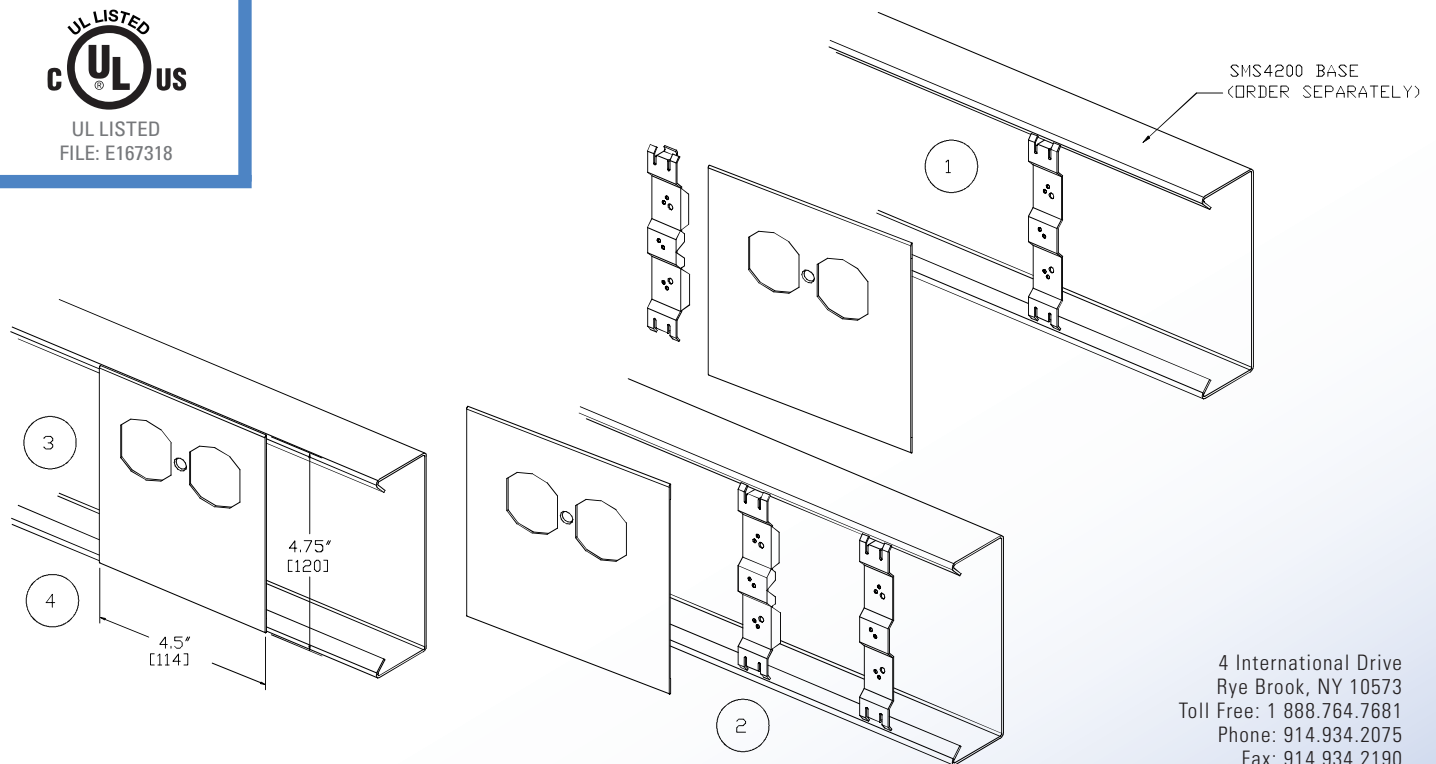
Available in standard Gray or Ivory (add "-I" suffix to specify Ivory).



SMS4200 SERIES
STEEL RACEWAY
SECTION VIEW
EACH ORDERED SEPARATELY
SCALE: NONE



UL LISTED
FILE: E167318



4 International Drive
Rye Brook, NY 10573
Toll Free: 1 888.764.7681
Phone: 914.934.2075
Fax: 914.934.2190
MonoSystems.com

