

# Surface Raceway / Steel SMS4246

## SnapMark™ Accessories

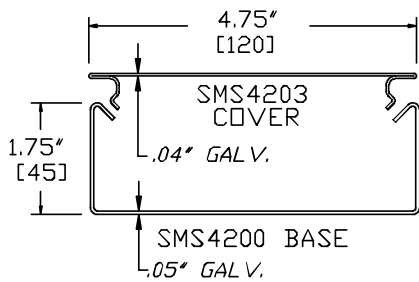
Manufactured by MonoSystems, Inc.

### DUPLIX / TELEPHONE PLATE

#### Assembly Instructions

- 1.) Insert one edge of device bracket over lip of SMS4200 base section in approximated area for device cover. Gently seat opposite end of device bracket using a slot head screwdriver. Ensure that both sides of bracket are correctly secured to base.
- 2.) Determine approximate distance for second device bracket, and affix to base in a similar fashion.
- 3.) Terminate wiring per local codes.
- 4.) After device(s) are secured properly to bracket (not shown), cover may be snapped over devices.

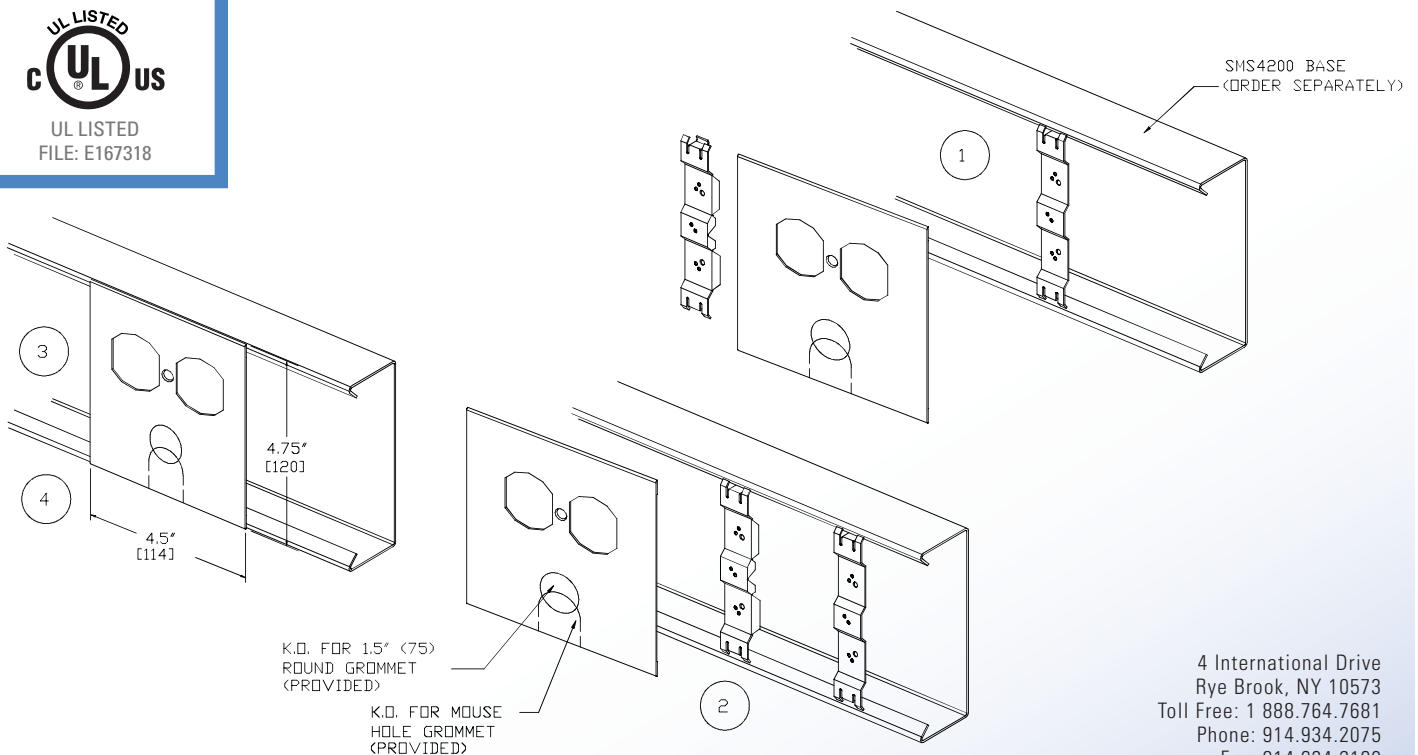
Available in standard Gray or Ivory (add "-I" suffix to specify Ivory).



SMS4200 SERIES  
STEEL RACEWAY  
SECTION VIEW  
EACH ORDERED SEPARATELY  
SCALE: NONE



UL LISTED  
FILE: E167318



4 International Drive  
Rye Brook, NY 10573  
Toll Free: 1 888.764.7681  
Phone: 914.934.2075  
Fax: 914.934.2190  
MonoSystems.com

