

Surface Raceway / Steel SMS42350D

SnapMark™ Accessories

Manufactured by MonoSystems, Inc.

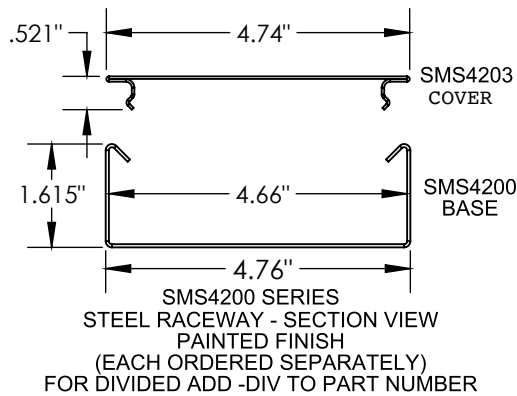
UNIVERSAL TWO GANG OFFSET DEVICE PLATE

Notes

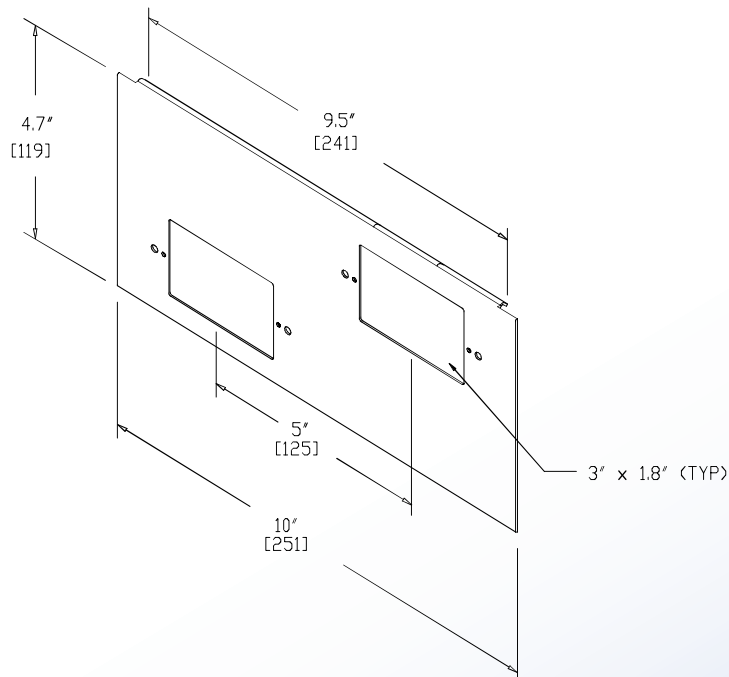
1.) Use with flush plates by others.catalog for details).

Available in standard Gray or Ivory (add "-I" suffix to specify Ivory).

Patented



UL LISTED
FILE: E167318



4 International Drive
Rye Brook, NY 10573
Toll Free: 1 888.764.7681
Phone: 914.934.2075
Fax: 914.934.2190
MonoSystems.com

