

Surface Raceway / Steel SMS4235

SnapMark™ Accessories

Manufactured by MonoSystems, Inc.

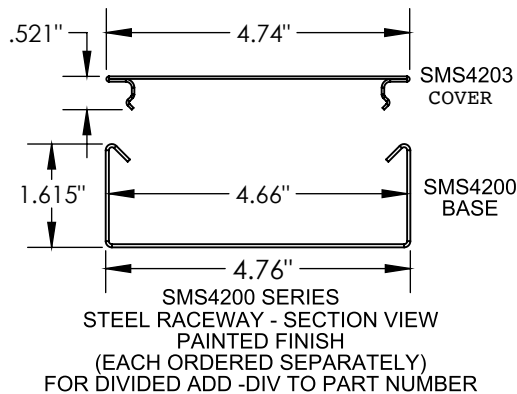
UNIVERSAL TWO GANG DEVICE MOUNTING FACE PLATE

Notes

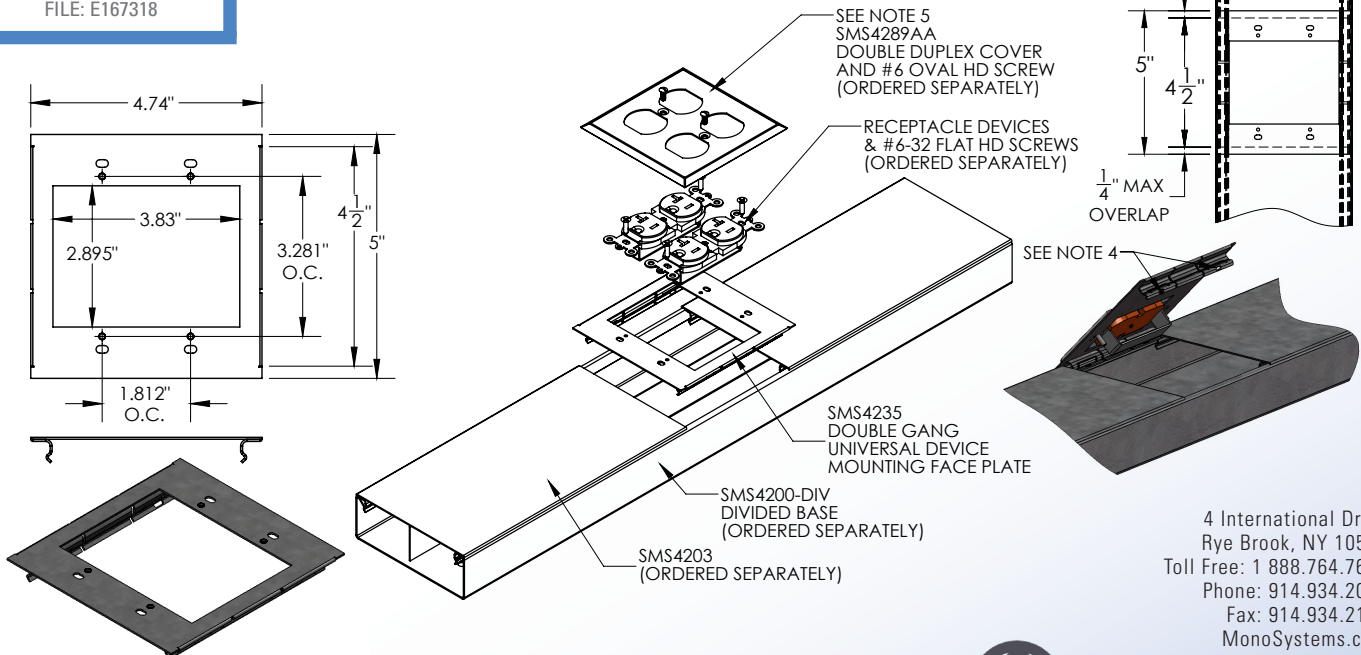
- 1.) Unique locking design eliminates the need for device brackets.
- 2.) Assembly instructions: Firmly press cover into place ensuring that both sides are completely snapped into base section. Face should overlap top of cover by as much as 1/4" on each side.
- 3.) To remove cover: Gently pry upward on base and cover seam with a non-abrasive tool such as a plastic putty knife.
- 4.) Cover tabs can be bent in or out to help adjust fitment.
- 5.) See CS-SMS4235-SMS4289 for available cover options.
- 6.) Views for reference - do not scale.

Material

20GA GALV. Steel. Available in standard Gray or Ivory (add "-I" suffix to specify Ivory).



UL LISTED
FILE: E167318



4 International Drive
Rye Brook, NY 10573
Toll Free: 1 888.764.7681
Phone: 914.934.2075
Fax: 914.934.2190
MonoSystems.com

