

# Surface Raceway / Steel SMS4231\_35

## SnapWay™ Accessories

Manufactured by MonoSystems, Inc.

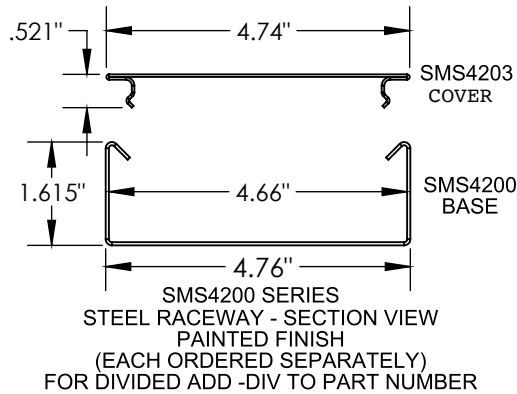
### UNIVERSAL DEVICE MOUNTING FACE PLATE

#### Notes

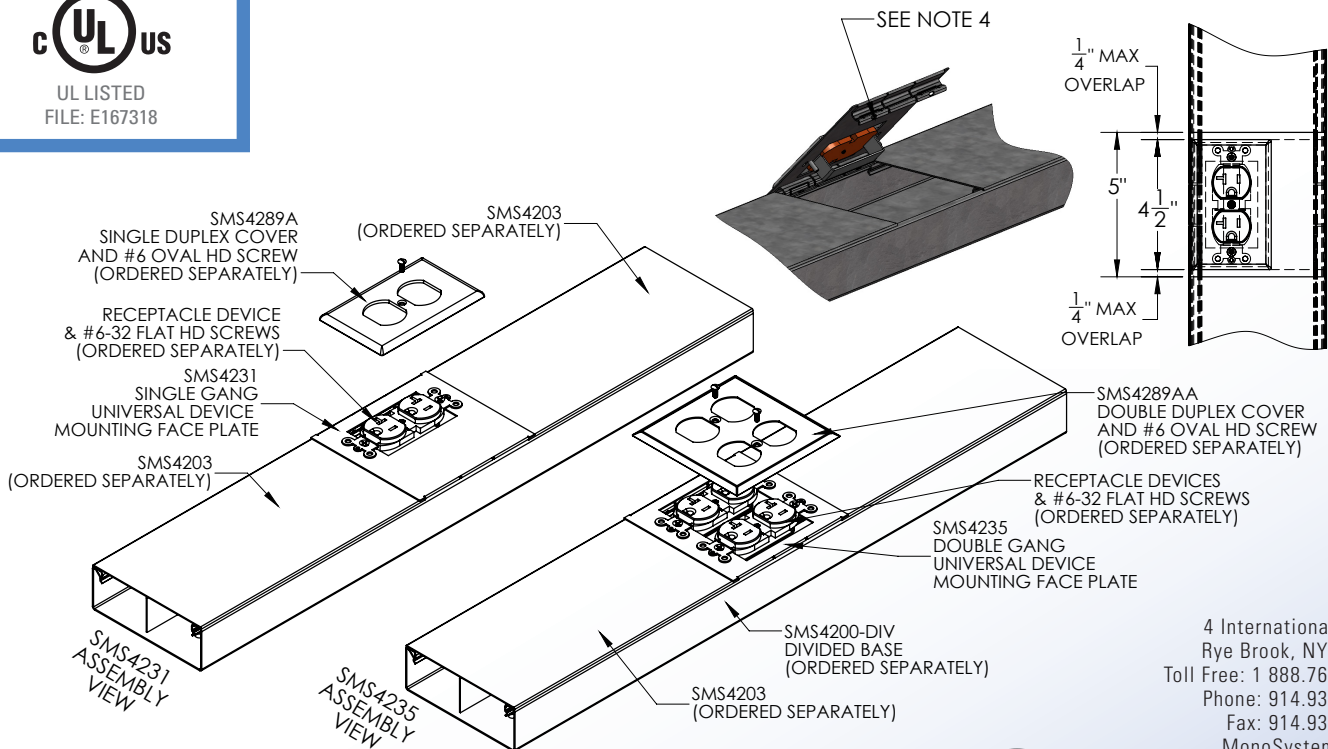
- 1.) Assembly instructions: Firmly press cover into place ensuring that both sides are completely snapped into base section. Face should overlap top of cover by as much as 1/4" on each side.
- 2.) To remove cover: Gently pry upward on base and cover seam with a non-abrasive tool such as a plastic putty knife.
- 3.) Cover tabs can be bent in or out to help adjust fitment.
- 4.) Views for reference - do not scale.

#### Material

20GA GALV. Steel. Available in standard Gray or Ivory (add "-I" suffix to specify Ivory).



UL LISTED  
FILE: E167318



4 International Drive  
Rye Brook, NY 10573  
Toll Free: 1 888.764.7681  
Phone: 914.934.2075  
Fax: 914.934.2190  
MonoSystems.com

