

Surface Raceway / Steel SMS4230

SnapMark™ Fittings

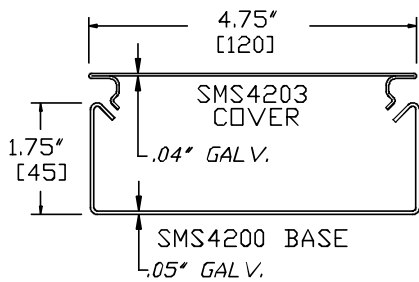
Manufactured by MonoSystems, Inc.

WALL BOX FEED

Assembly Instructions

- 1.) Secure wall box feed to SMS4200 base sections using SMS4202 couplings (order separately).
- 2.) Secure conduit coupling and or wall box (by others) through desired knock out.
- 3.) Secure wall box feed (SMS4230) to mounting surface through $\varnothing 9/32$ " mounting holes (mounting hardware by others).
- 4.) Terminate and enclose all wiring per NEC and local codes.

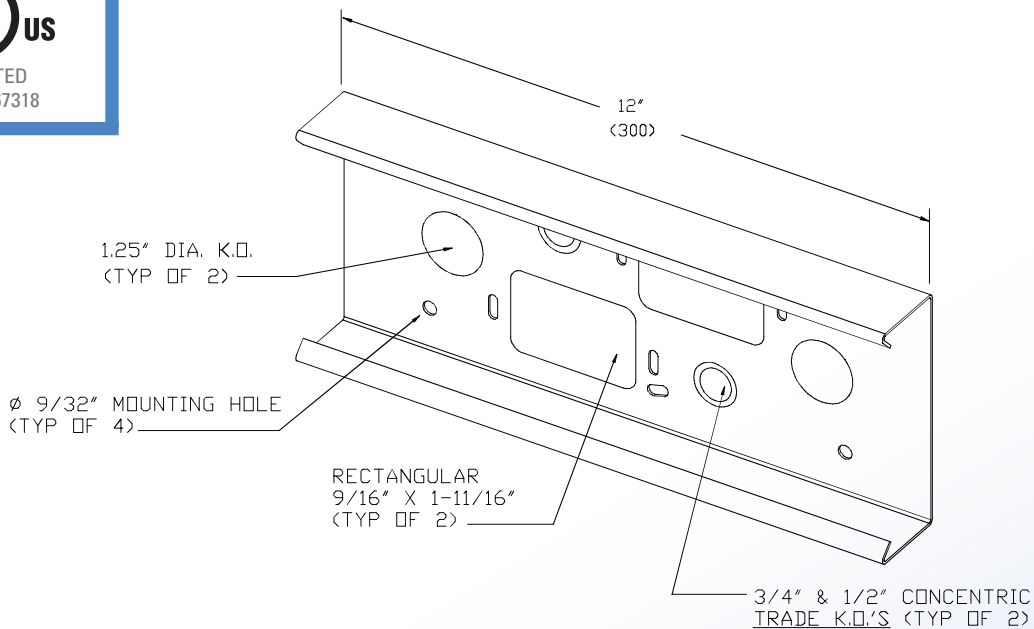
Available in standard Gray or Ivory (add "-I" suffix to specify Ivory).



SMS4200 SERIES
STEEL RACEWAY
SECTION VIEW
EACH ORDERED SEPARATELY
SCALE: NONE



UL LISTED
FILE: E167318



4 International Drive
Rye Brook, NY 10573
Toll Free: 1 888.764.7681
Phone: 914.934.2075
Fax: 914.934.2190
MonoSystems.com

