

Surface Raceway / Steel SMS422RCI

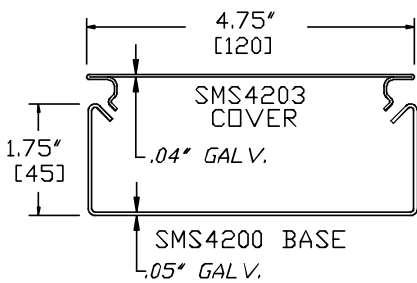
SnapMark™ Accessories

Manufactured by MonoSystems, Inc.

2" RADIUS CORNER INSERT

Notes:

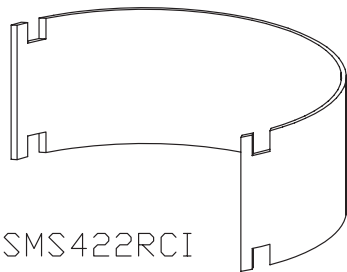
Provides 2" inside bend radius when used with SMS4209 elbow, or SMS4210 tee fittings in an undivided raceway configuration.



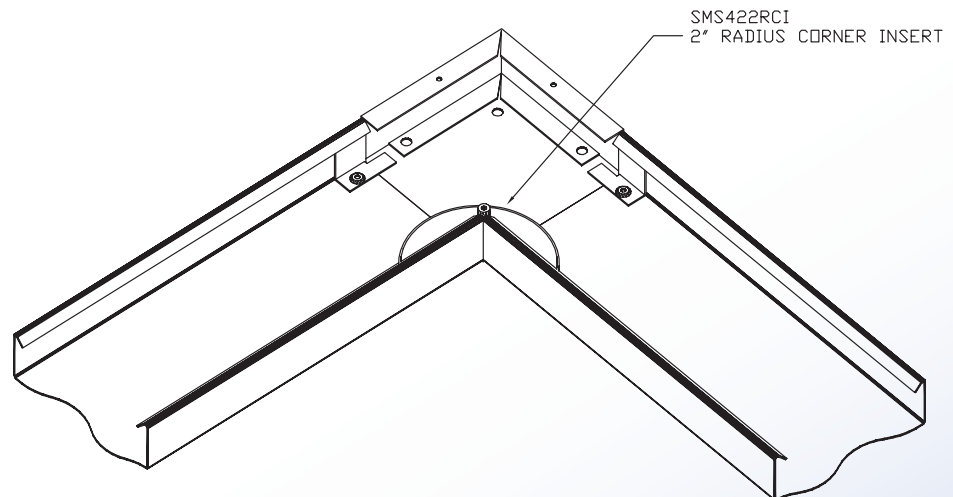
SMS4200 SERIES
STEEL RACEWAY
SECTION VIEW
EACH ORDERED SEPARATELY
SCALE: NONE



UL LISTED
FILE: E167318



SMS422RCI



4 International Drive
Rye Brook, NY 10573
Toll Free: 1 888.764.7681
Phone: 914.934.2075
Fax: 914.934.2190
MonoSystems.com

