

# Surface Raceway / Steel SMS4218F03

SnapMark™ Fittings

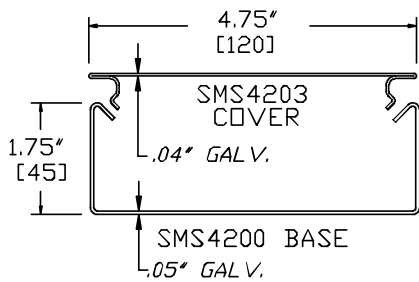
Manufactured by MonoSystems, Inc.

## EXTERNAL ELBOW W /3" RADIUS

### Assembly Instructions

- 1.) Slide SMS4218F03 into ends of SMS4200 base section.
- 2.) Secure elbow to base sections provided hardware.
- 3.) Secure elbow to mounting surface with screws supplied by others.
- 4.) Snap cover into place.

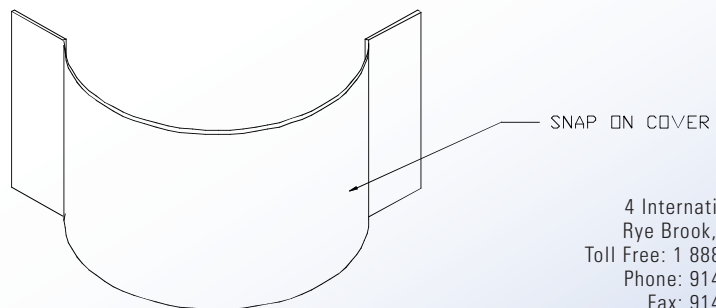
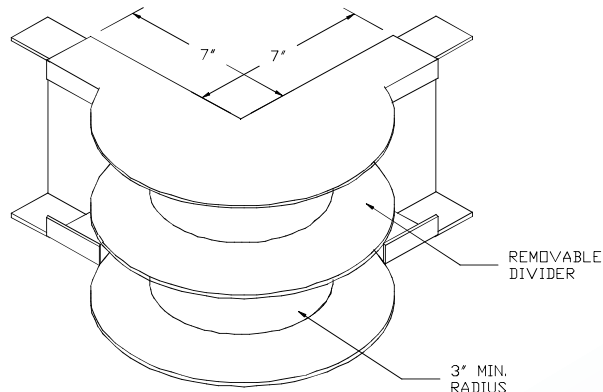
Available in standard Gray or Ivory (add "-I" suffix to specify Ivory).



SMS4200 SERIES  
STEEL RACEWAY  
SECTION VIEW  
EACH ORDERED SEPARATELY  
SCALE: NONE



UL LISTED  
FILE: E167318



4 International Drive  
Rye Brook, NY 10573  
Toll Free: 1 888.764.7681  
Phone: 914.934.2075  
Fax: 914.934.2190  
MonoSystems.com

