

Surface Raceway / Steel SMS4216

SnapMark™ Accessories

Manufactured by MonoSystems, Inc.

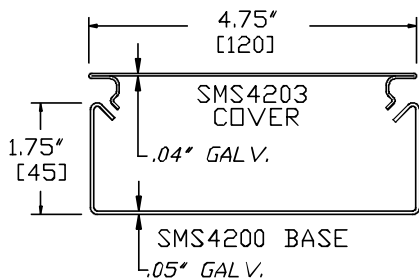
INTERNAL CORNER CLIP

Assembly Instructions

- 1.) Insert unbent edge of one side of corner clip under lip of corresponding SMS4200 base section.
- 2.) Firmly press clip into place ensuring that both top and bottom are completely under lips of base section.
- 3.) Using even pressure, slide corner clip such that other side snaps completely into opposite base section.

Material

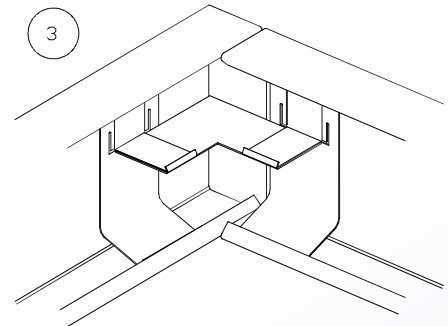
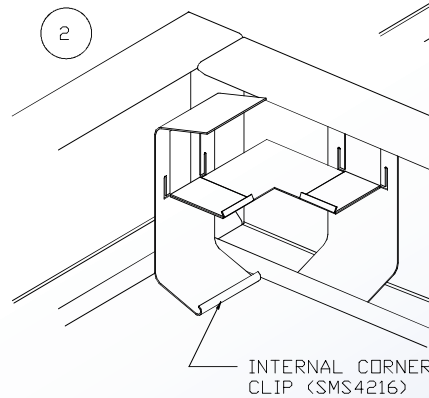
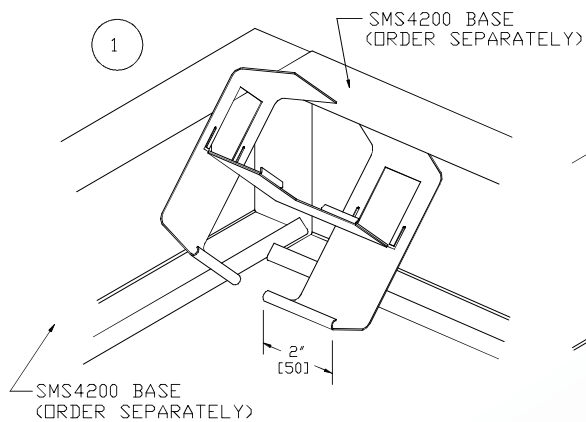
Galvanized Steel - Unpainted.



SMS4200 SERIES
STEEL RACEWAY
SECTION VIEW
EACH ORDERED SEPARATELY
SCALE: NONE



UL LISTED
FILE: E167318



4 International Drive
Rye Brook, NY 10573
Toll Free: 1 888.764.7681
Phone: 914.934.2075
Fax: 914.934.2190
MonoSystems.com

