

Surface Raceway / Steel SMS4215

SnapMark™ Fittings

Manufactured by MonoSystems, Inc.

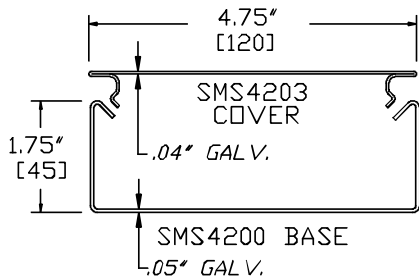
INTERNAL/EXTERNAL 45° ELBOW

Assembly Instructions

1.) Assemble back angel plate and elbow couplings together in desired internal/external configuration. Secure pieces together using eight 8-32 x 3/16" screws and end clips (internal assembly shown).

2.) Insert assembled 45° elbow into desired ends of SMS4200 base section. Secure to raceway using four 8-32 x 3/16" pan head screws.

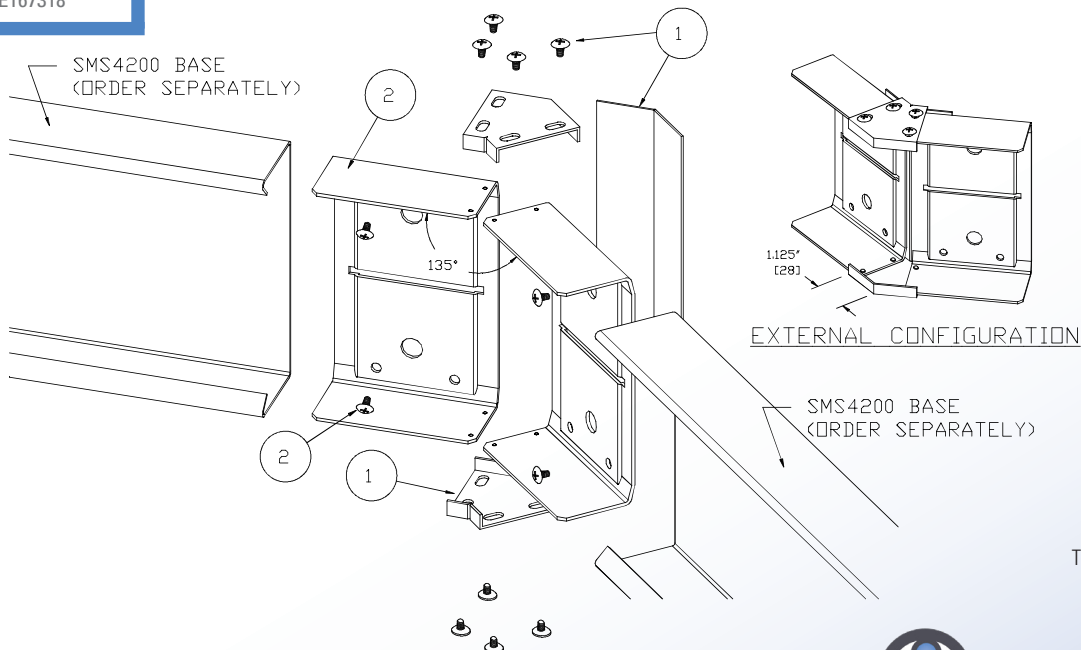
Available in standard Gray or Ivory (add "-I" suffix to specify Ivory).



SMS4200 SERIES
STEEL RACEWAY
SECTION VIEW
EACH ORDERED SEPARATELY
SCALE: NONE



UL LISTED
FILE: E167318



4 International Drive
Rye Brook, NY 10573
Toll Free: 1 888.764.7681
Phone: 914.934.2075
Fax: 914.934.2190
MonoSystems.com

