

# Surface Raceway / Steel SMS4211RDTI

## SnapMold™ Fittings

Manufactured by MonoSystems, Inc.

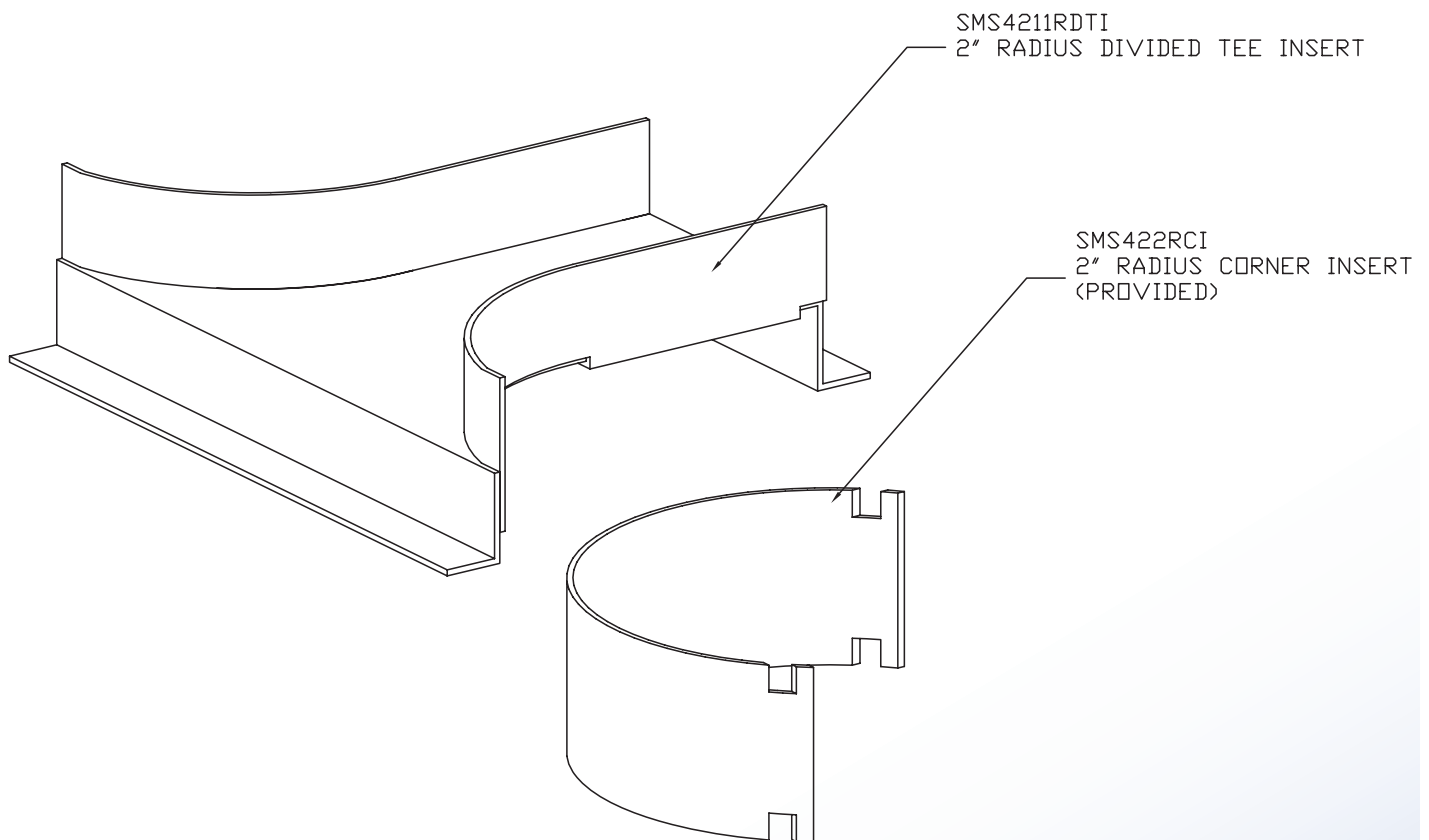


UL LISTED  
FILE: E164140

### 2" RADIUS DIVIDED TEE INSERT

#### Notes

1.) Scale: None



4 International Drive  
Rye Brook, NY 10573  
Toll Free: 1 888.764.7681  
Phone: 914.934.2075  
Fax: 914.934.2190  
MonoSystems.com

