

Surface Raceway / Steel SMS4211

SnapMark™ Fittings

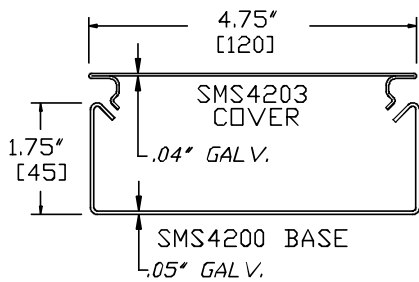
Manufactured by MonoSystems, Inc.

DIVIDED TEE

Assembly Instructions

- 1.) Slide divided tee into end of SMS4200 base section.
- 2.) Secure elbow to base section by inserting two 8-32 x 3/16" pan head screws into tapped holes.
- 3.) Snap cover into place.

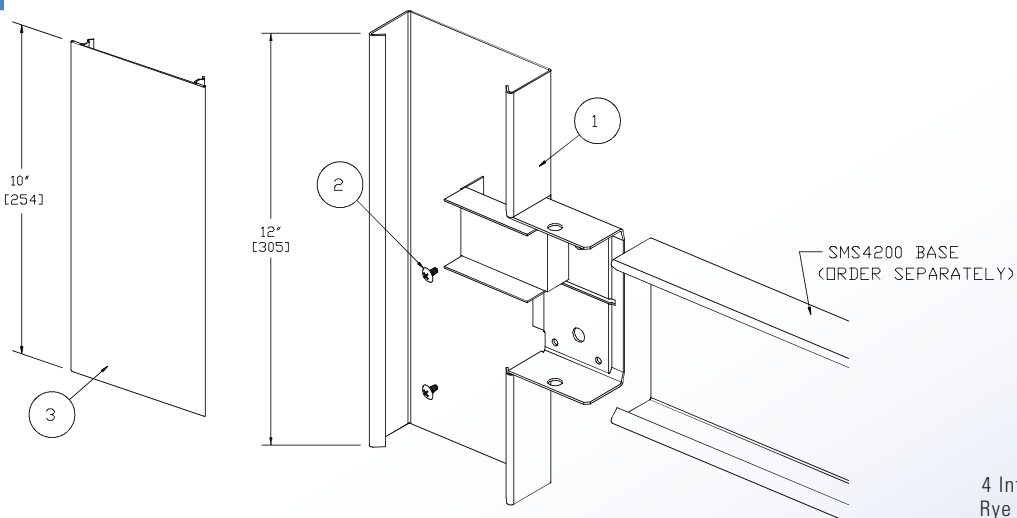
Available in standard Gray or Ivory (add "-I" suffix to specify Ivory).



SMS4200 SERIES
STEEL RACEWAY
SECTION VIEW
EACH ORDERED SEPARATELY
SCALE: NONE



UL LISTED
FILE: E167318



4 International Drive
Rye Brook, NY 10573
Toll Free: 1 888.764.7681
Phone: 914.934.2075
Fax: 914.934.2190
MonoSystems.com

