

Surface Raceway / Steel SMS4210F03

SnapMark™ Fittings

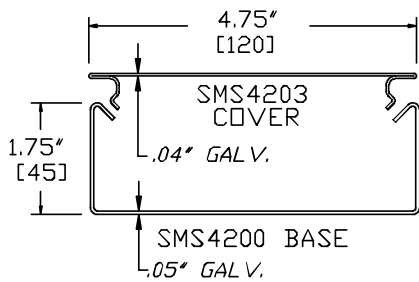
Manufactured by MonoSystems, Inc.

TEE W / 3" RADIUS

Assembly Instructions

- 1.) Slide SMS4210F03 into ends of SMS4200 base section.
- 2.) Secure tee to base sections using three SMS4202 couplings (order separately).
- 3.) Secure tee to mounting surface with screws supplied by others.
- 4.) Snap cover into place.

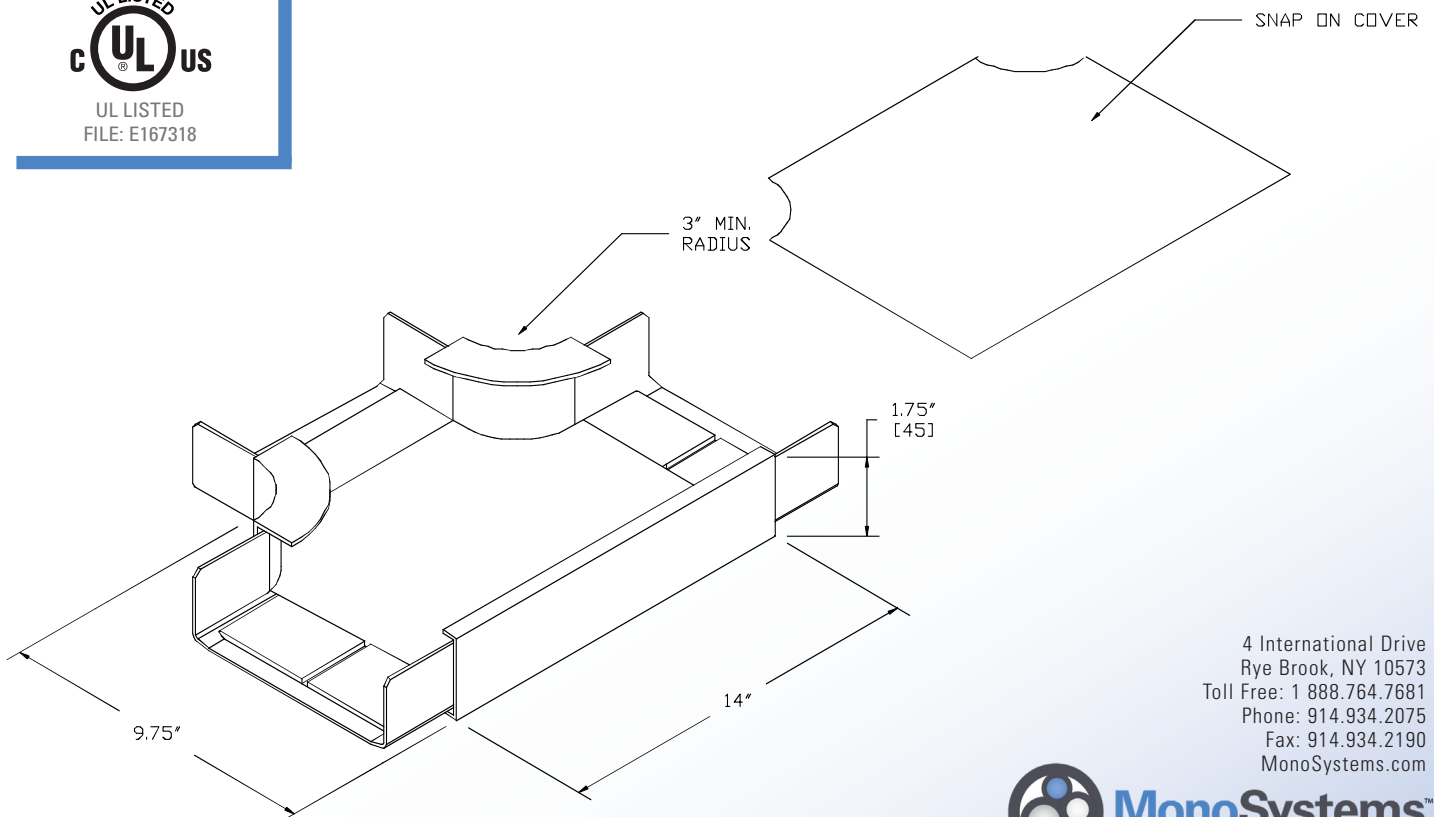
Available in standard Gray or Ivory (add "-I" suffix to specify Ivory).



SMS4200 SERIES
STEEL RACEWAY
SECTION VIEW
EACH ORDERED SEPARATELY
SCALE: NONE



UL LISTED
FILE: E167318



4 International Drive
Rye Brook, NY 10573
Toll Free: 1 888.764.7681
Phone: 914.934.2075
Fax: 914.934.2190
MonoSystems.com

