

Surface Raceway / Steel SMS4209

SnapMark™ Fittings

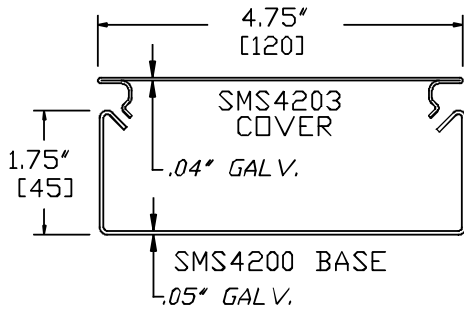
Manufactured by MonoSystems, Inc.

90° FLAT ELBOW

Assembly Instructions

- 1.) Using flat head machine screw, secure mounting post to elbow.
- 2.) Slide external 90° elbow into ends of SMS4200 base section.
- 3.) Secure elbow to base section using two 8-32 x 3/16" pan head screws.
- 4.) Secure flat elbow to mounting surface with screws supplied by others.
- 5.) Three 8-32 x 3/16" pan head screws are used to secure cover to flat elbow.

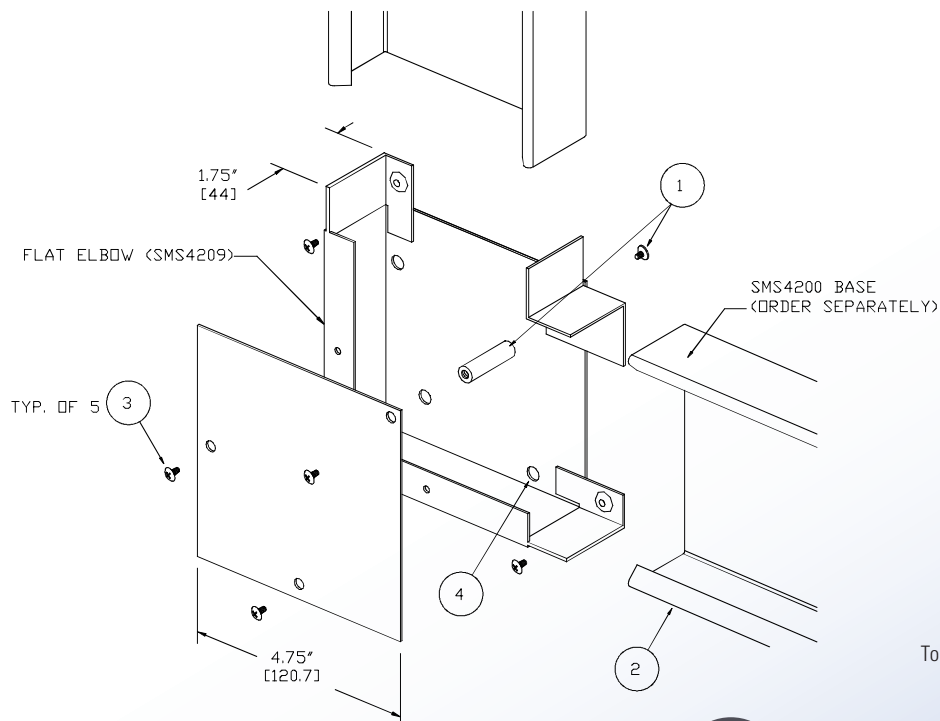
Available in standard Gray or Ivory (add "-I" suffix to specify Ivory).



SMS4200 SERIES
STEEL RACEWAY
SECTION VIEW
EACH ORDERED SEPARATELY
SCALE: NONE



UL LISTED
FILE: E167318



4 International Drive
Rye Brook, NY 10573
Toll Free: 1 888.764.7681
Phone: 914.934.2075
Fax: 914.934.2190
MonoSystems.com

