

# Surface Raceway / Steel SMS4207

## SnapMark™ Accessories

Manufactured by MonoSystems, Inc.

### DIVIDER STRIP

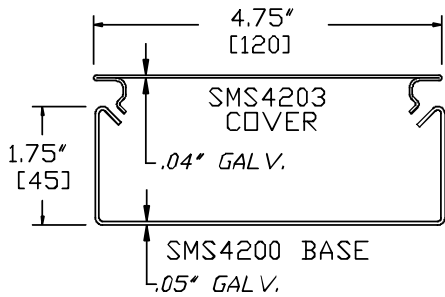
#### Assembly Instructions

- 1.) Insert straight end of divider clip under lip of SMS4200 base.
- 2.) Firmly press clip into place ensuring that both sides are completely under lips of base section.
- 3.) Divider strip can then be seated in clip.

Note: When utilizing divider clips along a straight section, ensure that all clips are oriented uniformly.

#### Material

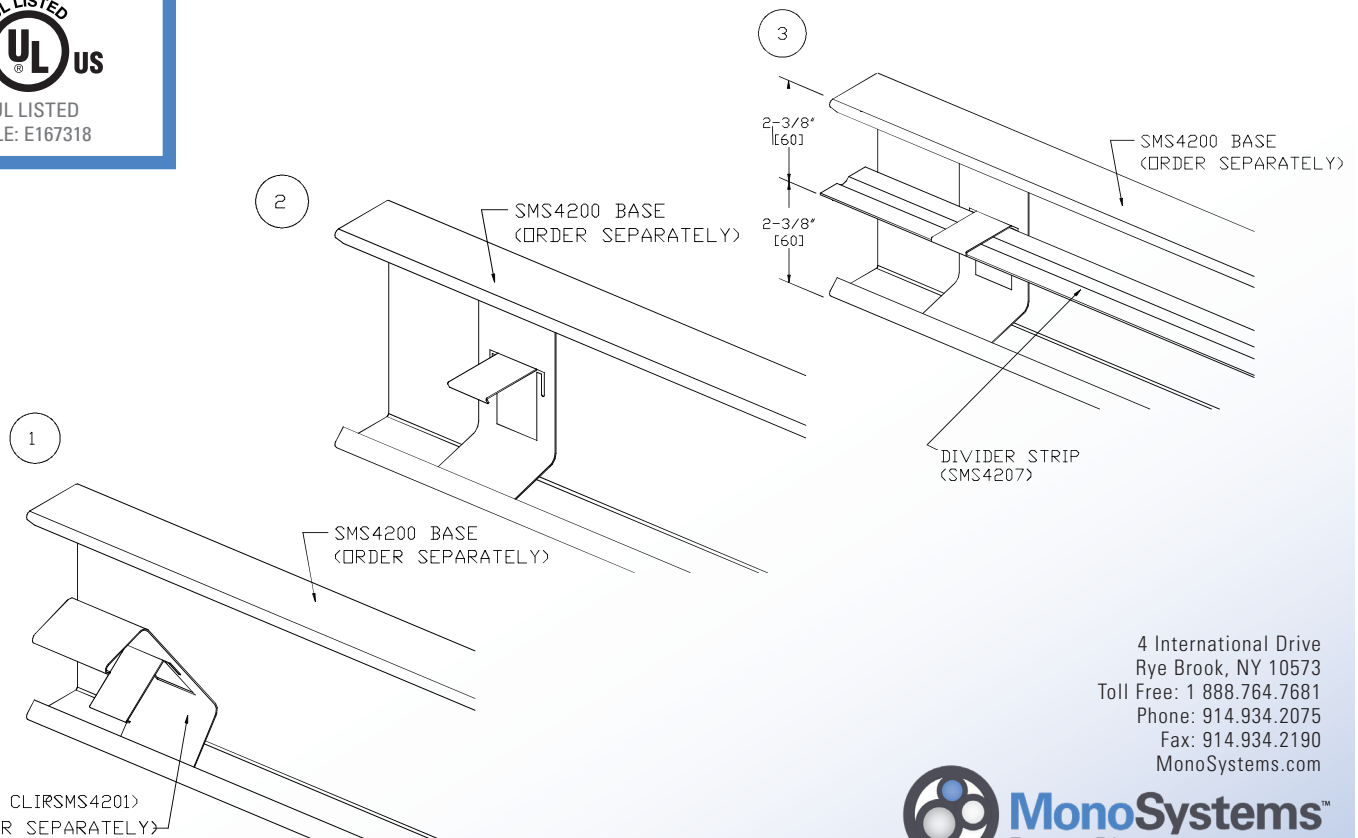
Galvanized Steel.



SMS4200 SERIES  
STEEL RACEWAY  
SECTION VIEW  
EACH ORDERED SEPARATELY  
SCALE: NONE



UL LISTED  
FILE: E167318



DIVIDER CLIP SMS4201  
(ORDER SEPARATELY)

4 International Drive  
Rye Brook, NY 10573  
Toll Free: 1 888.764.7681  
Phone: 914.934.2075  
Fax: 914.934.2190  
MonoSystems.com

