

# Surface Raceway / Steel SMS4206

## SnapMark™ Accessories

Manufactured by MonoSystems, Inc.

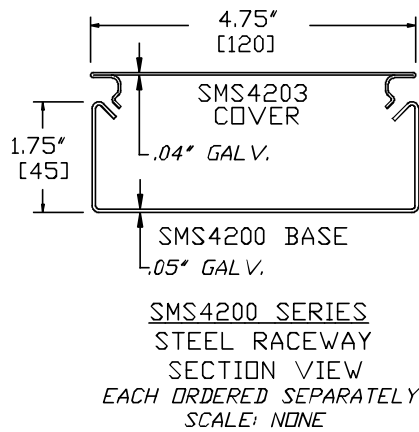
### WIRE CLIP

#### Assembly Instructions

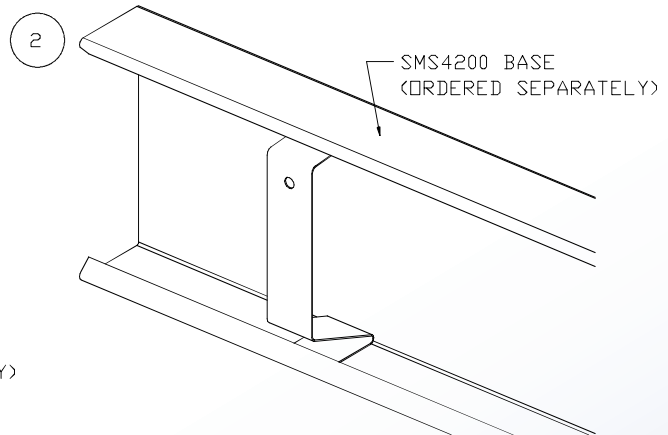
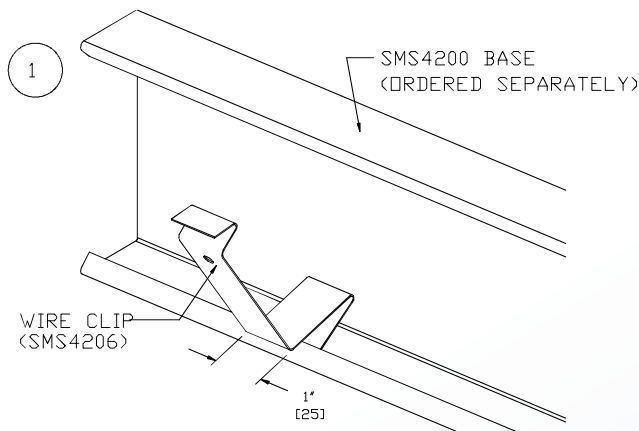
- 1.) Insert long side of wire clip under lip of SMS4200 base after installation of wiring.
- 2.) Firmly press clip into place ensuring that both sides are completely under lips of base section.

#### Material

Galvanized Steel - Unpainted.



UL LISTED  
FILE: E167318



4 International Drive  
Rye Brook, NY 10573  
Toll Free: 1 888.764.7681  
Phone: 914.934.2075  
Fax: 914.934.2190  
MonoSystems.com

