

Surface Raceway / Steel SMS4202

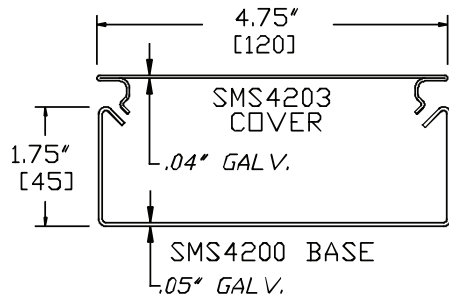
SnapMark™ Accessories

Manufactured by MonoSystems, Inc.

COUPLING

Assembly Instructions

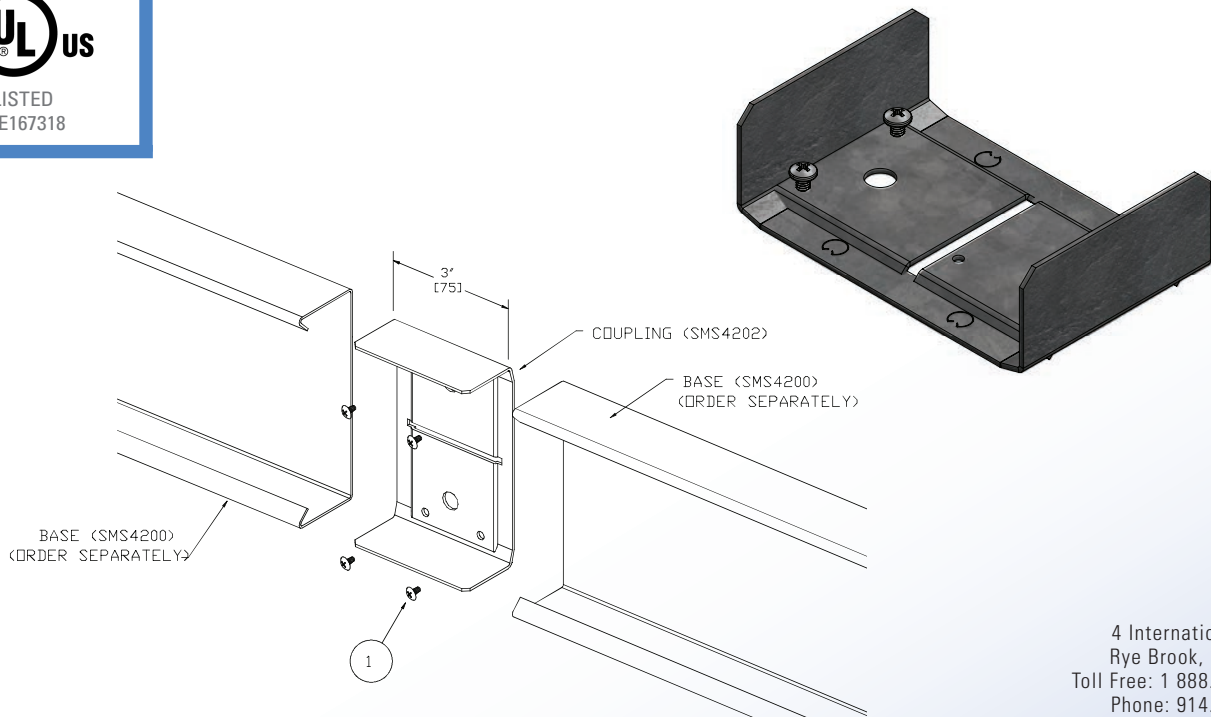
- 1.) Insert coupling into ends of SMS4200 base sections to be joined. Secure in place using four 8-32 x 3/16" pan head screws (provided).



SMS4200 SERIES
STEEL RACEWAY
SECTION VIEW
EACH ORDERED SEPARATELY
SCALE: NONE



UL LISTED
FILE: E167318



4 International Drive
Rye Brook, NY 10573
Toll Free: 1 888.764.7681
Phone: 914.934.2075
Fax: 914.934.2190
MonoSystems.com

