

# Surface Raceway / Steel SMS4201-123

## SnapMark™ Accessories

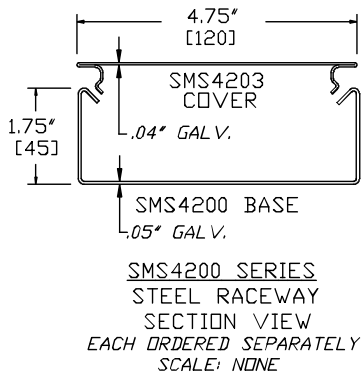
Manufactured by MonoSystems, Inc.

### OFFSET DIVIDER CLIPS (SMS4201 -1/3 & SMS4201-2/3)

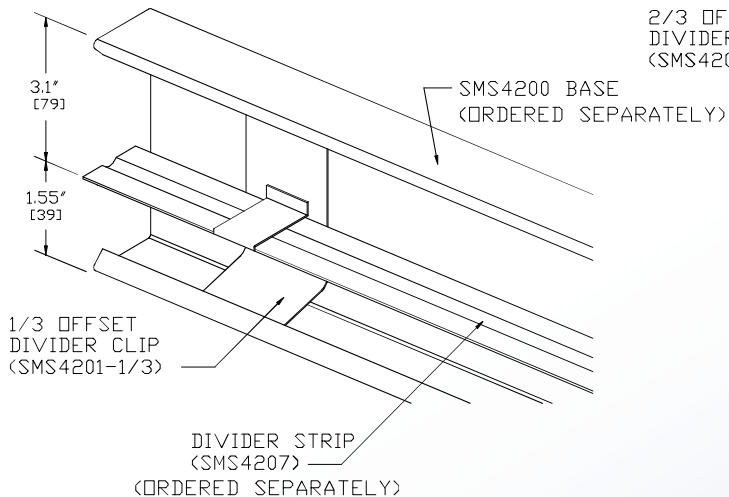
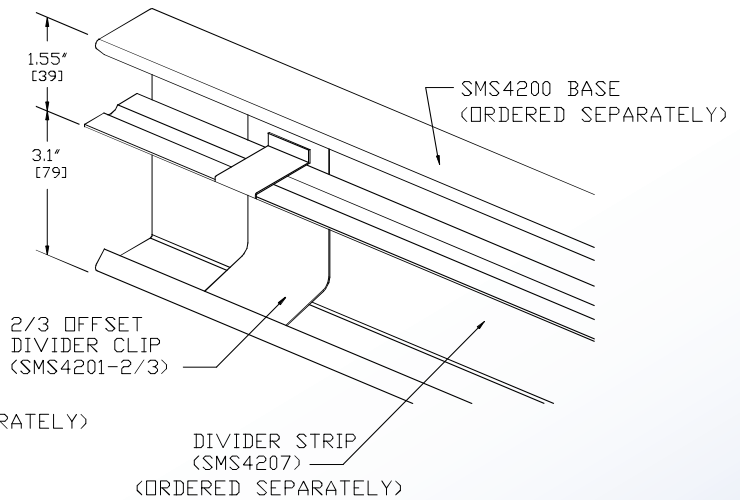
#### Assembly Instructions

- 1.) Firmly press clip into place ensuring that both sides are completely under lips of base section (use one clip every 2.5' O.C.).
- 2.) Divider strip can then be seated in clip.

NOTE: When utilizing divider clips along a straight section, ensure that all clips are oriented uniformly.



UL LISTED  
FILE: E167318



4 International Drive  
Rye Brook, NY 10573  
Toll Free: 1 888.764.7681  
Phone: 914.934.2075  
Fax: 914.934.2190  
MonoSystems.com

