

Surface Raceway / Steel SMS4201

SnapMark™ Accessories

Manufactured by MonoSystems, Inc.

DIVIDER CLIP

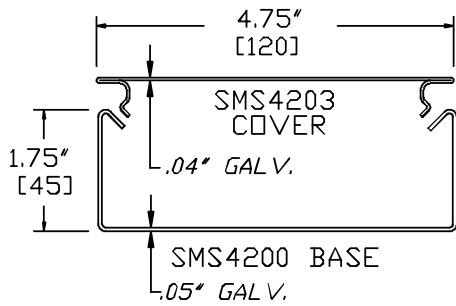
Assembly Instructions

- 1.) Insert straight end of divider clip under lip of SMS4200 base.
- 2.) Firmly press clip into place ensuring that both sides are completely under lips of base section (use one SMS4201 every 2.5' O.C.).
- 3.) Divider strip can then be seated in clip.

NOTE: When utilizing divider clips along a straight section, ensure that all clips are oriented uniformly.

Material

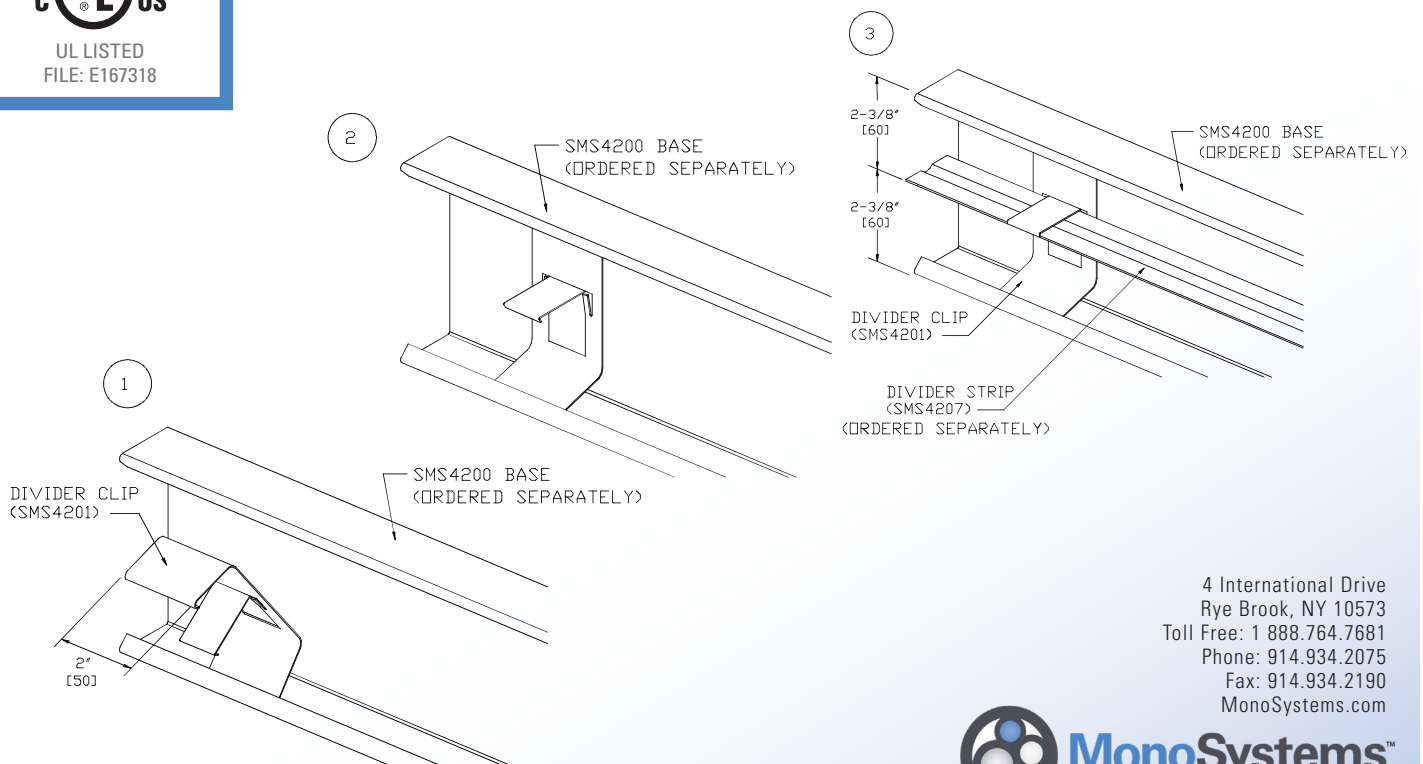
GALV. Steel - Unpainted.



SMS4200 SERIES
STEEL RACEWAY
SECTION VIEW
EACH ORDERED SEPARATELY
SCALE: NONE



UL LISTED
FILE: E167318



4 International Drive
Rye Brook, NY 10573
Toll Free: 1 888.764.7681
Phone: 914.934.2075
Fax: 914.934.2190
MonoSystems.com

